



# Model C830 OmniPlex Control Module Fuel Filter Polisher Operation

INSTRUCTION MANUAL  
EMERGENCY POWER FUEL SYSTEMS

Earthsafe Systems, Inc.  
7320 S. Madison  
Willowbrook, IL 60527

T: (630) 794-5100  
F: (630) 794-5106

[info@earthsafe.com](mailto:info@earthsafe.com)  
[www.earthsafe.com](http://www.earthsafe.com)

Updated: October 2012

The information contained herein is proprietary and is provided for the sole purpose of the owner's installation, operation, and maintenance of the system. Reproduction of this information for other purposes is prohibited without the prior consent of Earthsafe Systems, Inc.

### Notice

Earthsafe makes no warranty of any kind with regard to this publication, including but not limited to, the implied warranties of merchantability and fitness for a particular purpose. Earthsafe shall not be liable for errors contained herein or for incidental or consequential damages in connection with the furnishing, performance or use of this publication. Earthsafe reserves the right to change system options or features, or the information contained in this publication. This publication contains proprietary information which is protected by copyright. All rights reserved. No part of this publication may be photocopied, reproduced, or translated to another language without the prior written consent of Earthsafe.

### Damage Claims

Thoroughly examine all components and units as soon as they are received. If damaged, write a complete and detailed description of the damage on the face of the freight bill. The carriers agent must verify the inspection and sign the description. Immediately notify the delivering carrier of damage or loss. This notification may be given either in person or by telephone. Written confirmation must be mailed within 48 hours. Risk of loss, or damage to merchandise belongs with the buyer. It is the buyers responsibility to file a claim with the carrier involved. Immediately advise Earthsafe of the problem so that we may assist you.

### Safety Information

UL Listed. The Earthsafe OmniPlex Control Module is UL listed.

Intended Use. The Earthsafe OmniPlex Control Module is intended for use with diesel fuel systems for emergency power generators. The control module and any connected sensors or devices are intended for operation only within ordinary electrical areas. Use of the module and connected sensors or devices within hazardous electrical areas is prohibited.

### Intellectual Property

The equipment and software described herein are the property of Earthsafe Systems, Inc. and are protected by various trademarks and patents.

## Table of Contents

Notices ..... 2

Table of Contents ..... 3

General Description ..... 4

Specifications / Physical ..... 5

Software Versions ..... 6

Installation Instructions ..... 7

Functional Descriptions ..... 8  
    Fuel Filtration / Polishing Control

Operation Instructions ..... 10  
    Fuel Filtration / Polishing Control

Troubleshooting ..... 11

Maintenance Instructions ..... 12  
Spare Parts

Technical Support ..... 13

Warranty Information

## General Description

The C800 OmniPlex Multi-Function Control Module is designed to monitor and control diesel fuel transfer for emergency power applications. The OmniPlex Module is customized with operating software to provide required operating functions for over 6 common applications:

- Generator Tank Level Control
- Duplex Pump Control
- Fuel Filtration / Polishing
- Multi-Tank Selection Control
- Remote Tank Fill Systems
- Dual Tank Full Systems

The OmniPlex Module receives inputs from operating systems including: (a) tank level sensors, (b) leak detection sensors, (c) flow sensors, (d) pressure sensors, (e) pump current sensors, (f) filter water sensors, (g) filter differential pressure sensors, (h) valve position sensors.

The OmniPlex Module operates output devices for the fuel system including: (a) solenoid valves, (b) fuel supply pumps, (c) fuel return pumps, (d) actuated ball valves, (e) actuated butterfly valves.

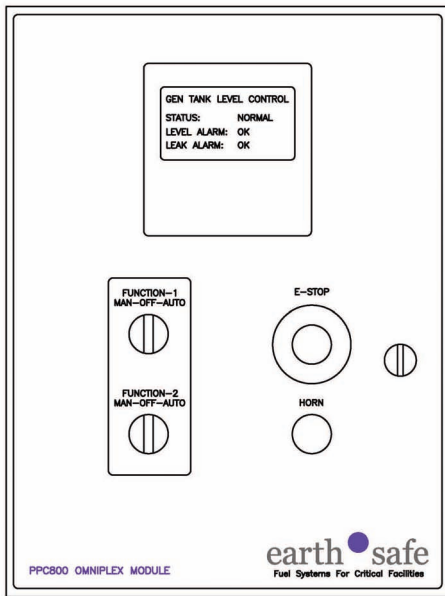
The control module includes MAN.-OFF-AUTO selector switches for the fuel transfer pump / valves. The manual mode allows the pump / valve to be activated for manual operation or testing. In the auto mode the pump / valve are activated by the conditions of the input sensors.

The OmniPlex Module includes the following elements:

1. Programmable Controller  
The programmable controller provides the control logic for the system and operates system elements with limited current capabilities.
2. Output Control Relays  
The unit includes relays to operate valves, pumps, remote alarms, and to isolate the Controller from these devices.
3. Mode Selector Switches  
The module includes dual MAN.-OFF-AUTO mode selector.
4. Display Screen  
The module includes a display to communicate the operating status of the unit. Different screens are presented based on the specific operating function of the unit. See the operating section of the manual for additional information.
5. Alarm Horn  
The module includes an audible alarm which operates on a auto-shutoff adjustable timer.
6. Emergency Stop  
The module includes an emergency stop button which interrupts the function of the output relays to stop pumps and close valves. The emergency stop button is mechanically maintained with a twist to release function.
7. Communications Link  
The module includes a communication link to allow operating status data to be transferred to other control and monitoring systems.

The pump set control module is operationally tested at the factory. However additional inspection and testing is required at installation to ensure that the unit has not been adversely affected by shipment.

Model C830  
 OmniPlex Control Module  
 Fuel Filter Polisher Operation



OmniPlex Module	
Dimensions	12" H x 10" W x 8" D
Approval	UL
Power	120 VAC / 5 A / 60 Hz Single or Dual Source 24 VDC Control Circuits
Enclosure	NEMA 4 Color RAL 7035 (Light Gray)
Environmental	32 to 131 F (0-55 C) -20 to 130 F with heater
Communication	AB DeviceNet
Communication	AB PICO GFX-70
Other	Isolated Inductive Loads 5 Amp Output Relays (Typ)
Options	50 Hz Power CE Approval Intrinsic Safety Barriers Enclosure Heater
ORDERING INFORMATION	
PART	DESCRIPTION
C830	Control Module: Filtration Unit

Model C830  
 OmniPlex Control Module  
 Fuel Filter Polisher Operation

### Software Versions

The OmniPlex Multifunction Controller is programmed to operate in a wide variety of fuel system control configurations. The software is selected at the time of purchase and is factory configured. The software can be changed after installation by installing a new memory module into the controller and re-starting the device.

#### Standard Software Versions

VERSION	TYPE	GENERAL DESCRIPTION
OS300.01	Filter / Pump	Programmable Timer for Filtration Cycle Start – Stop Pump on Time Cycle

#### Enhanced Software Versions

Enhanced Software Versions are available for the OmniPlex Controller. Detailed information on the Versions is available at [www.earthsafe.com](http://www.earthsafe.com) including the specialized operating sequence, wiring diagrams, and operating instructions associated with each version.

#### Standard Software Versions

VERSION	TYPE	MODIFICATIONS FROM STANDARD
OS300.02	Pump / Filter Dual Tank	Operate Filter / Pumps on Timed Cycle Select Tank to be Filtered on Alternate Cycles Operated Supply and Return Valves for Selected Tank
OS300.03	Dual Filter	Operate Remote Pumps for Dual Filter Monitor Dual Filter Status

Model C830  
OmniPlex Control Module  
Fuel Filter Polisher Operation

## Installation Instructions

### A. General

1. The system including the control panel, sensors, and devices is designed for ordinary electrical areas, and shall not be installed in hazardous electrical areas.
2. The control panel, external devices, and wiring should be installed by a competent electrician in accordance with National Electric Code requirements and all applicable local regulations.

### B. Control Panel:

1. Select an appropriate location for the control panel installation. The location should be indoors in a dry and temperature controlled environment. The operating temperature for the control panel is 32 to 104 degrees F (0 to 40 degrees C). The control panel must be protected from severe vibration, extremes in temperature and humidity, rain, and other conditions that could harm computerized electronic equipment.
2. Remove all packaging material. Inspect the control module for damage. Install the panel on a wall or bracket and secure with (4) bolts at the corners. Provide 120 VAC power supply to the control module from a dedicated circuit breaker. Provide conduit openings in the panel suitable for the input and output wiring to external devices.
3. Always disconnect power at the external circuit breaker, using approved lock out / tag out procedures prior to terminating wiring inside the control panel.

### C. External Devices

1. The control panel is designed to receive inputs from external sensors, operate external valves and pumps, and supply on/off signals to remote systems. Install external sensors, valves, and pumps per their manufacturers recommendations. Install wiring junction boxes where required to make wiring connections to the devices. Junction boxes should be rain tight where exposed to weather.

### D. Conduit Systems

1. The system can be installed using a variety of conduit systems as applicable for the environment and code requirements, including PVC, EMT, IMC, and RGS.
2. Wiring should be separated in conduit systems in conformance with code requirements, and in conformance with the following:
  - (a) separate fuel system wiring from wiring for other building systems.
  - (b) separate DC wiring from AC wiring in conduits.
  - (c) separate AC signal wires from AC power for motor loads.
  - (d) separate data wiring for networks from other wiring
  - (e) separate Intrinsically Safe wiring for tank gauge sensors.

### E. Wiring

1. Use only stranded THHN wiring. Use #14 AWG wiring for signal wiring unless noted otherwise. Use sequential numbering to identify wiring in each conduit to assist in connection and troubleshooting.
2. Network data wiring shall be 8 conductor, minimum 24 gauge wiring with RJ45 connectors.

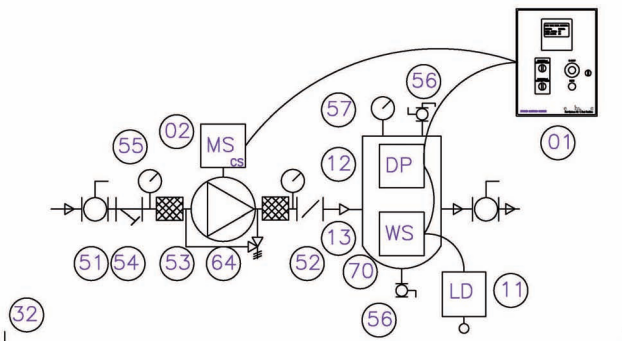
Model C830  
OmniPlex Control Module  
Fuel Filter Polisher Operation

## Functional Description:

Filtration / Polishing

INSTRUCTION MANUAL

8 of 13



### Filter / Polishing Unit

The control panel operates the pump on a programmable timed cycle to circulate fuel from the storage tank through the filter and returning to the storage tank. The unit can be operated with a tank selection system to provide filtration for multiple tank units.

The programmable timer allows setting of the start time / date, the ON cycle time, and the OFF cycle time for the AUTO mode. The programmable timer allows setting of the cycle duration for the MAN mode, to start the pump upon manual initiation and stop it after the defined cycle.

The control panel monitors the filter unit for high differential pressure indicating a need for filter change, and water accumulation. The leak sensor is also monitored and disables the unit from operation in MAN or AUTO mode.

The display indicates: (a) normal or alarm condition, (b) cycle active status, (c) time to start / stop cycle, (d) alarm indication for differential pressure, water accumulation, or leak, (e) pump status. A common alarm output relay and a serial data interface are provided for BMS integration.

### Filter – Pump Set

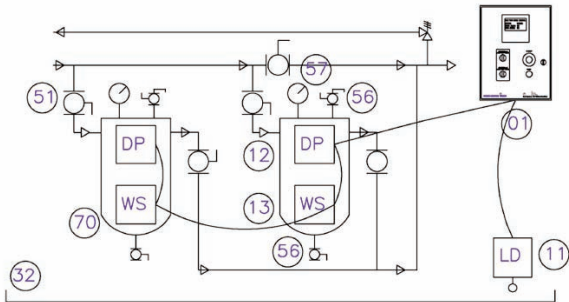
Item	Qty	Description
1	1	OmniPlex Control Panel
2	1	Pump Control Panel
12	1	Filter DP Sensor
13	1	Filter Water Sensor
33	1	Pump / Filter Containment
51	2	Ball Valve
52	1	Check Valve
53	2	Flex Connector
54	1	Strainer
55	2	Pressure / Vacuum Gauge
56	2	Valve – Filter Drain-Vent
57	1	Gauge - Filter
64	1	Pump - Filtration
70	1	Filter Vessel / Cartridges



Model C830  
OmniPlex Control Module  
Fuel Filter Polisher Operation

## Functional Description:

### Duplex Filter



### Dual Filter Unit

The control panel operates the remote pump on a programmable timed cycle to circulate fuel from the storage tank through the filter and returning to the storage tank. The unit can be operated with a tank selection system to provide filtration for multiple tank units.

The programmable timer allows setting of the start time / date, the ON cycle time, and the OFF cycle time for the AUTO mode. The programmable timer allows setting of the cycle duration for the MAN mode, to start the pump upon manual initiation and stop it after the defined cycle.

The control panel monitors the filter unit for high differential pressure indicating a need for filter change, and water accumulation. The leak sensor is also monitored and disables the unit from operation in MAN or AUTO mode.

The display indicates: (a) normal or alarm condition, (b) cycle active status, (c) time to start / stop cycle, (d) alarm indication for differential pressure, water accumulation, or leak, (e) filter status, (f) pump status. A common alarm output relay and a serial data interface are provided for BMS integration.

### Duplex Filter Set

Item	Qty	Description
1	1	OmniPlex Control Panel
12	2	Filter DP Sensor
13	2	Filter Water Sensor
33	1	Pump / Filter Containment
51	5	Ball Valve
56	4	Valve – Filter Drain-Vent
57	2	Gauge - Filter
70	2	Filter Vessel / Cartridges
71	1	Back Pressure Regulator

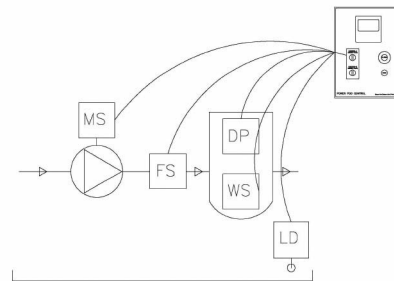
Model C830  
 OmniPlex Control Module  
 Fuel Filter Polisher Operation

Operation Instructions

Filter Polisher Control

**Filter Polisher Control**

Refer to Standard Operating Procedures for detailed description of inputs, outputs, and operating logic.



**Filter Pump Manual Mode (Top Selector Switch)**

Place the switch in the manual mode to energize pump motor starter and start pump. (a) When timer selector switch is in OFF mode the pump will continue until removed from MAN mode. (b) When timer selector switch is AUTO mode, the pump will run through the on cycle set time, and then stop until reset.

**Filter Pump Auto Mode (Top Selector Switch)**

Timer Auto Mode (Lower Selector Switch)  
 Place the switch in the auto mode, with timer in auto mode, to operate pumps based on timer settings for on/off cycle.

**Timer Reset Mode (Lower Selector Switch)**

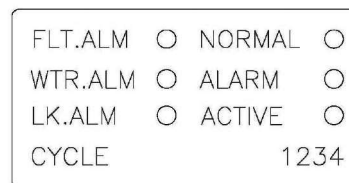
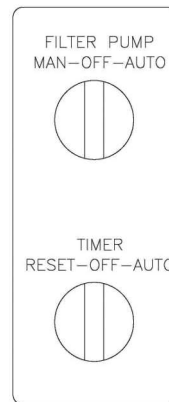
Reset the timer to the start of the on cycle.

**Display 1**

Indicates operating status and alarm conditions.

**Display 2 (Press ALT Button to Access and Return)**

Use keypads to set auto mode start time and on/off cycle times.



Model C830  
 OmniPlex Control Module  
 Fuel Filter Polisher Operation

## Troubleshooting

### Maintenance Instructions

MODE	ITEM	DESCRIPTION	RESPONSE
General	1.01	Display not Active	Check circuit breaker status Check panel internal breaker Check display latch to processor
	1.02	No outputs active	Check Emergency Stop position
	1.03	Select outputs not active	Check wire terminations at panel Check wire terminations at device Check output relay continuity
Filter Polisher	4.01	Pump did not start or Pump start but no flow	Check pump items above
	4.02	Filter pressure alarm	Confirm high pressure / change filter Check pressure sensor
	4.03	Filter water alarm	Open valve to drain filter water Check water sensor
	4.04	On/Off cycle error	Check selector switch positions Check emergency stop position Check set points for start and cycles

Model C830  
OmniPlex Control Module  
Fuel Filter Polisher Operation

## Maintenance Instructions / Spare Parts

### Maintenance Instructions

ITEM	MAINTENANCE	SCHEDULE
1	Operate selector switches to manual or test position	30 day intervals
2	Open panel and check for water seepage or excessive condensation	30 day intervals
3	Remove sensors and activate to confirm system function	Annually

### Spare Parts

Spare parts are available worldwide from local Allen Bradley parts distributors. Locate local distributor information at [www.ab.com](http://www.ab.com)

Model C830  
OmniPlex Control Module  
Fuel Filter Polisher Operation

## Technical Support / Warranty Service

### Technical Support

Contact Earthsafe at

(630) 794-5100

(630) 794-5106 Fax

[www.earthsafe.com](http://www.earthsafe.com)

7320 S. Madison

Willowbrook, IL 60527

### Warranty Statement

Earthsafe Systems, Inc. warrants the tank level controls to be the kind and quality described in specification provided herein and to be free from defects in material or workmanship under normal service for a period of 1 year after shipment. Earthsafe obligations under this warranty shall be limited to repair or replacement, at the option of Earthsafe, of parts deemed to be defective upon inspection by Earthsafe. User is responsible for transportation of parts or assemblies to Earthsafe or its authorized repair location where the repairs are to be performed.

The provisions of the warranty shall not apply to any equipment, part, or accessory which (a) has been improperly specified by buyer, (b) has been improperly stored or handled prior to placing in service, (c) has been damaged or loosened during shipment, (d) has been improperly mounted or connected, (e) has not been operated within the equipment specifications, or (f) has been improperly maintained.

Earthsafe reserves the right to reject warranty claims of any kind for equipment for which it has not received full payment.

This warranty is in lieu of all other warranties, express or implied, and all other obligations or liabilities on the part of Earthsafe. Earthsafe assumes no responsibility or liability for any special, incidental, or consequential damage.