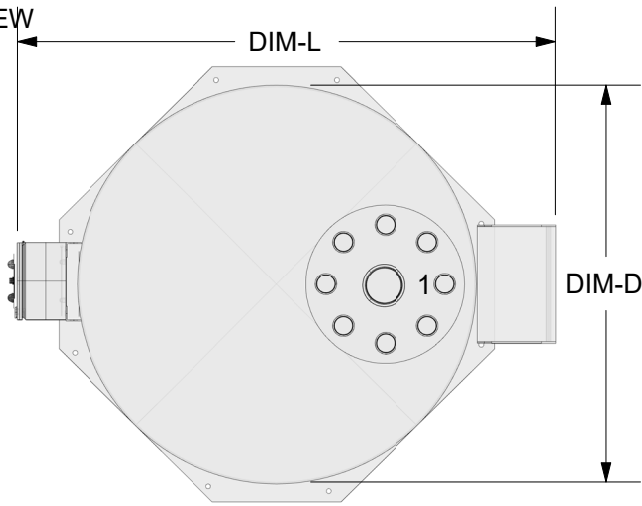


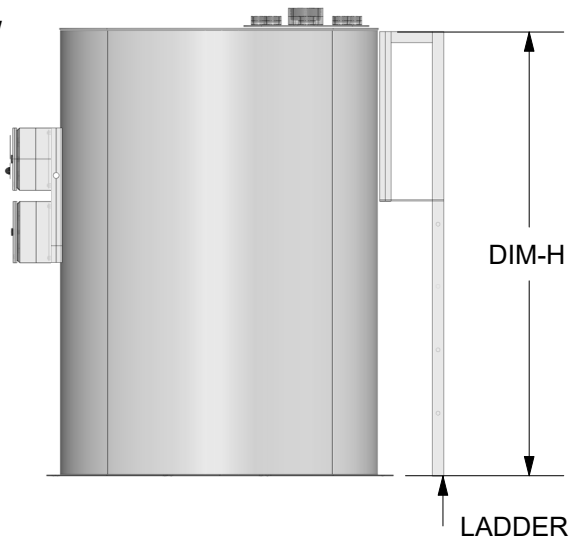
TOP VIEW



PERSPECTIVE



SIDE VIEW



FRONT VIEW



SINGLE WALL TANK DIMENSIONS AND WEIGHT

MODEL	D	L	H	EMPTY	OPER
GAL	IN	IN	IN	LB	LB
500	48	72	64	650	5200
600	48	72	78	750	6200
800	48	72	104	920	8100
1000	60	84	82	1010	9990
1500	60	84	86	1310	14800
2000	72	96	116	1630	19700
2500	84	108	106	1850	24400
3000	84	108	126	2100	29200
4000	96	120	130	2520	38700
5000	96	120	160	2960	48200
6000	108	132	152	3300	57600

TANK DETAILS LEGEND

MARK	SIZE	DESCRIPTION
	IN	
1	2	DEF SUPPLY
2	2	DEF RETURN
3	2	TANK FILL
4	2	LEVEL SENSOR
5	2	LEVEL TRANSMITTER
6	2	VENT
7	2	INSPECTION PORT
8	2	DIRECT READ GAUGE
9	4	SPARE