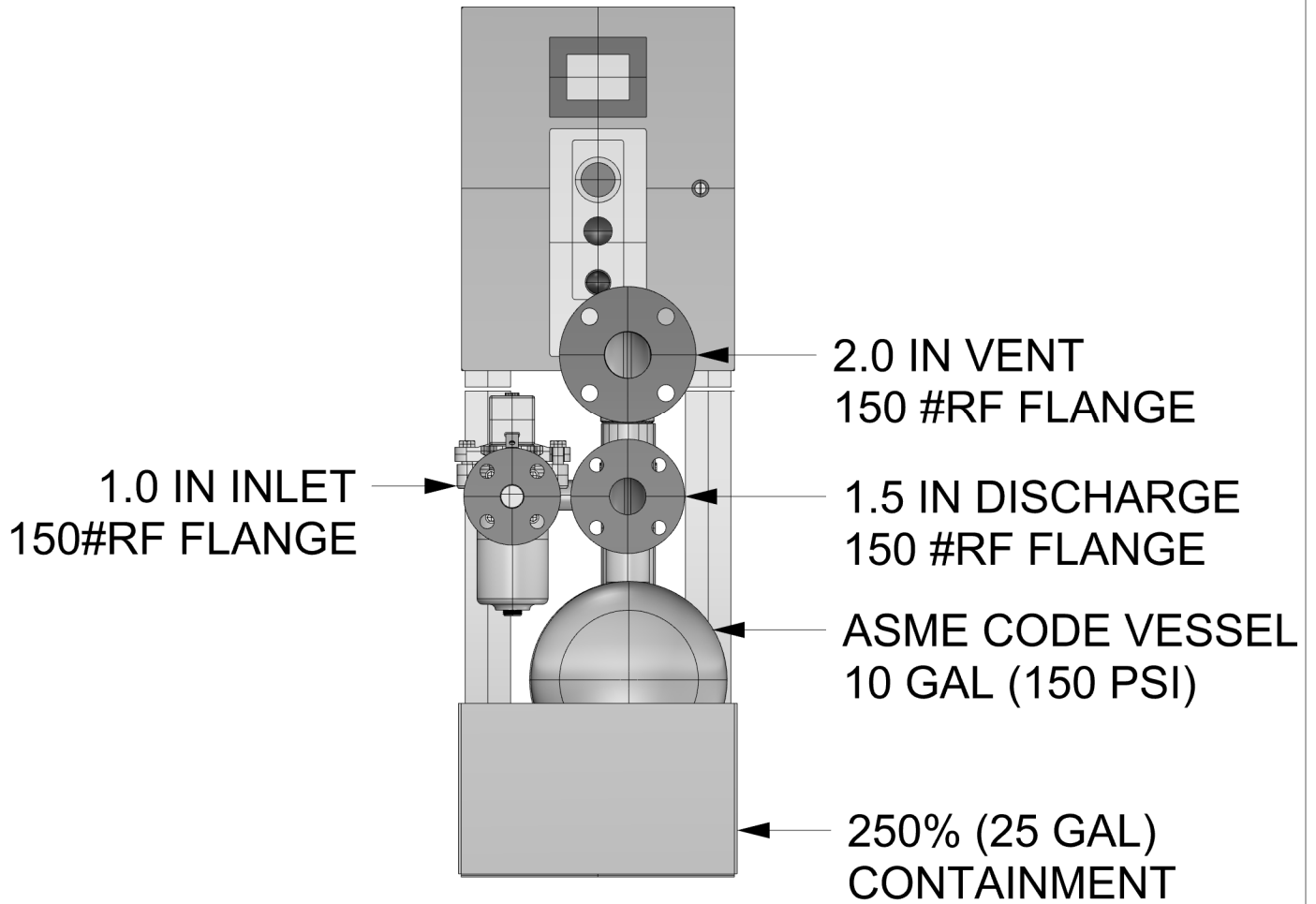


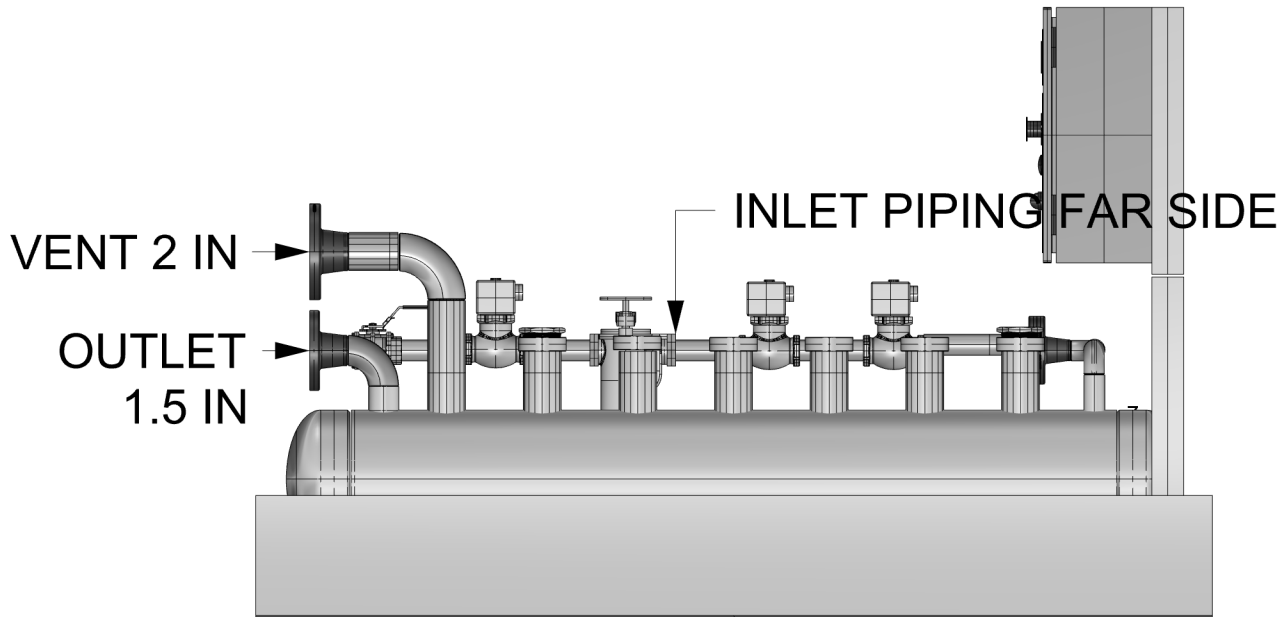
PLAN VIEW

EARTHSAFE	Title NYC HEADER 10 GAL	Project 74100	Date 2-1-20	By WE	ID M5H001	No. 01
-----------	----------------------------	------------------	----------------	----------	--------------	-----------



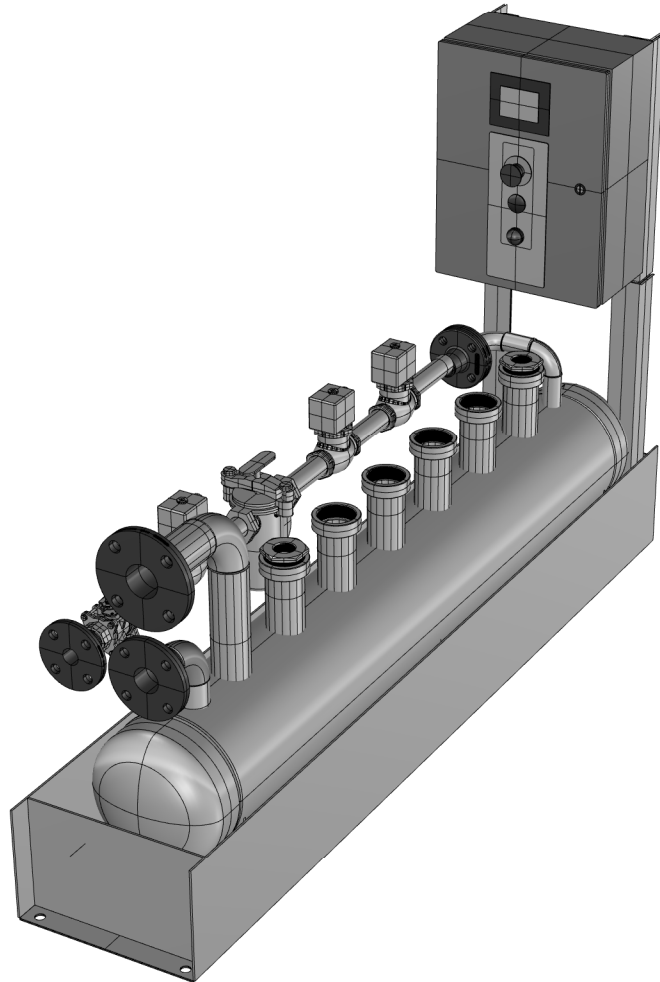
END VIEW

EARTHSAFE	Title NYC HEADER 10 GAL	Project 74100	Date 2-1-20	By WE	ID M5H001	No. 02
-----------	----------------------------	------------------	----------------	----------	--------------	-----------



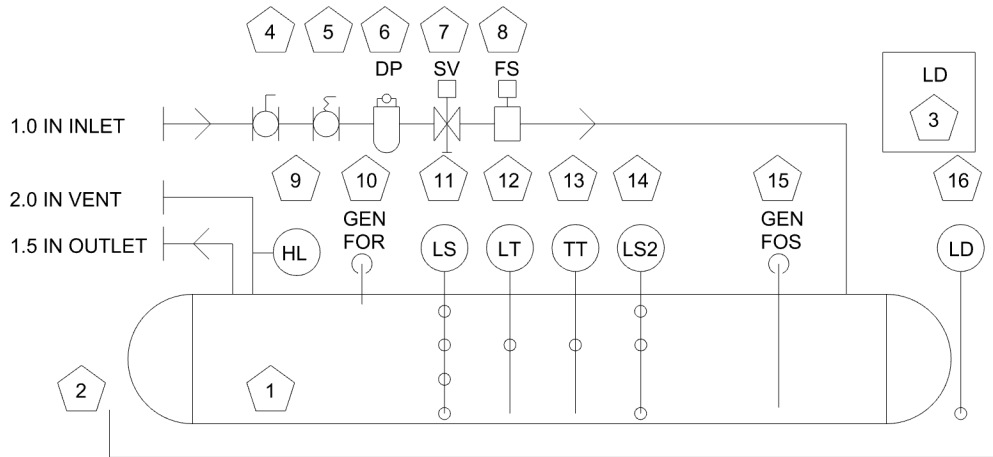
SIDE VIEW

EARTHSAFE	Title NYC HEADER 10 GAL	Project 74100	Date 2-1-20	By WE	ID M5H001	No. 03
-----------	----------------------------	------------------	----------------	----------	--------------	-----------



PERSPECTIVE

EARTHSAFE	Title NYC HEADER 10 GAL	Project 74100	Date 2-1-20	By WE	ID M5H001	No. 04
-----------	----------------------------	------------------	----------------	----------	--------------	-----------



FLOW DIAGRAM

MARK	QTY	SIZE	MODEL	DESCRIPTION
1	1	10	ESS	ASME CODE VESSEL, 10 GAL, 150 PSI, 8" DIAM X 48"
2	1	25	ESS	250% CONTAINMENT BASIN, 25 GAL
3	1		ESS.C8	CONTROL / MONITOR PANEL
4	1	1	COM	BALL VALVE, API, WITH LIMIT SWITCHES FOR POSITION MONITOR
5	1	1	COM	FUSIBLE LINK VALVE, UL LISTED
6	1	1	COM	BASKET STRAINER 100 MESH WITH DIFF PRESS GAUGE / SWITCH
7	1	1	COM	SOLENOID VALVE, 24 VDC COIL, NORM CLOSE, MANUAL OVER-RIDE
8	1	1	COM	FLOW SENSOR
9	1	1	COM	VENT HIGH LEVEL SENSOR
10	1	1	COM	ENGINE FOR CONNECT 1 IN OR AS NEEDED (CHECK VALVE EXCL)
11	1	1	COM	LEVEL SENSOR 4-POINT
12	1	1	COM	LEVEL TRANSMITTER, ANALOG
13	1	1	COM	TEMPERATURE TRANSMITTER , ANALOG
14	1	1	COM	LEVEL SENSOR, 3-POINT FOR GEN CONTROL
15	1	1	COM	ENGINE FOS CONNECTION 1 IN OR AS NEEDED (SOL VALVE EXCL)
16	1	1	COM	LEAK SENSOR

BILL OF MATERIAL

EARTHSAFE	Title NYC HEADER 10 GAL	Project 74100	Date 2-1-20	By WE	ID M5H001	No. 05
-----------	----------------------------	------------------	----------------	----------	--------------	-----------