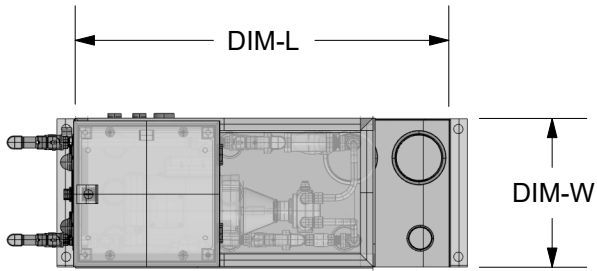
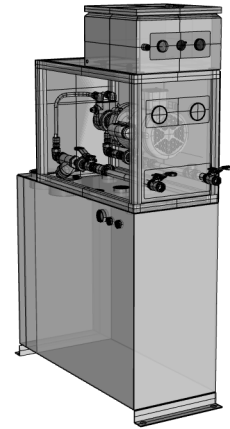


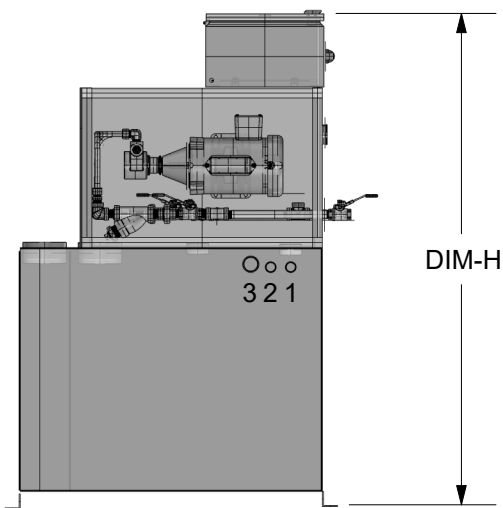
TOP VIEW



PERSPECTIVE



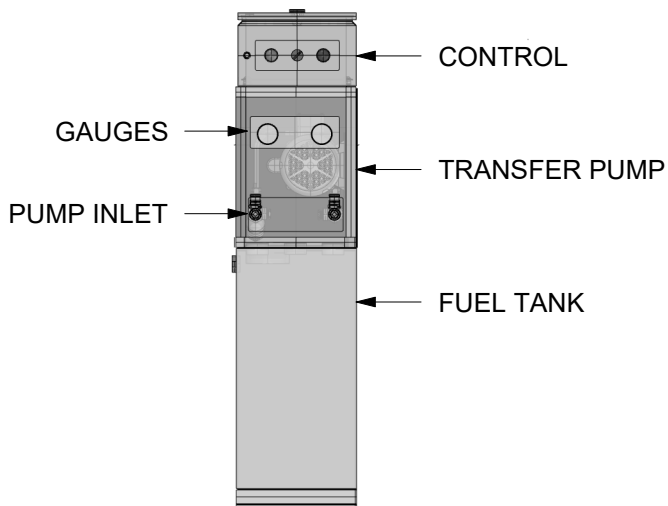
SIDE VIEW



DOUBLE WALL TANK DIMENSIONS AND WEIGHT

MODEL	W	L	H	EMPTY	OPER
GAL	IN	IN	IN	LB	LB
25	14	30	48	200	420
50	14	30	60	340	790
75	14	42	60	400	1080
100	14	54	60	560	1460

FRONT VIEW



TANK DETAILS LEGEND

MARK	SIZE	DESCRIPTION
	IN	
1	1	ENGINE SUPPLY
2	1	ENGINE RETURN
3	1	OVERFLOW
4	1	LEVEL SENSOR
5	1	LEVEL TRANSMITTER
6	2	VENT
7	2	FILL / INSPECT PORT
8	2	PRESSURE GAUGE
9	2	CONTROL PANEL
10	2	TRANSFER PUMP