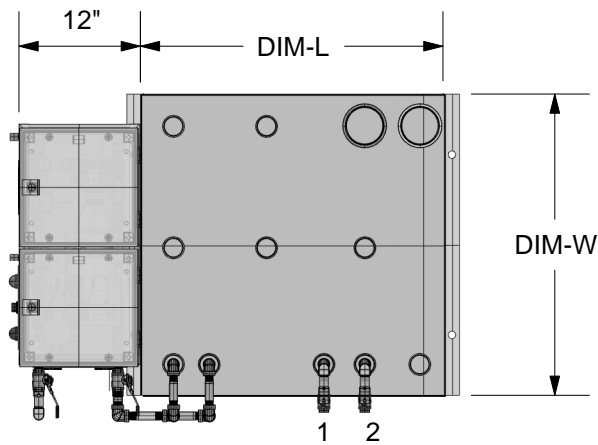
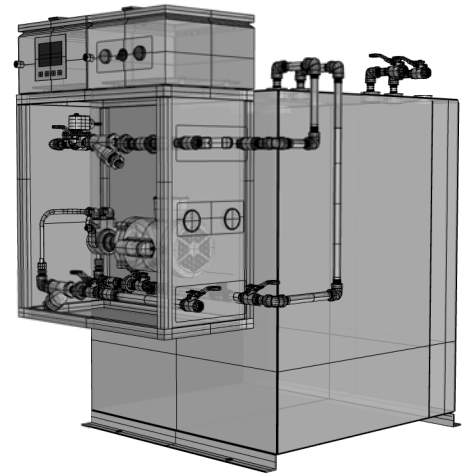


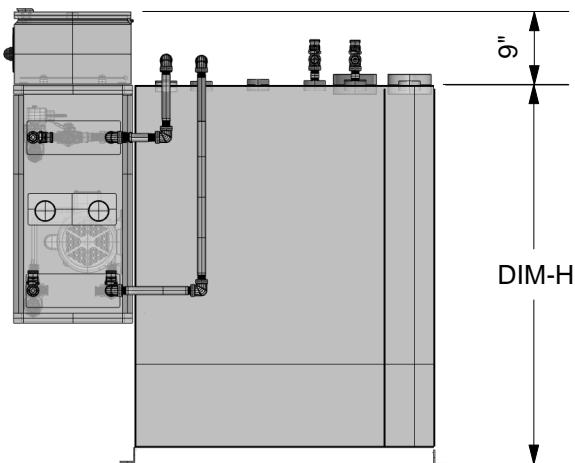
TOP VIEW



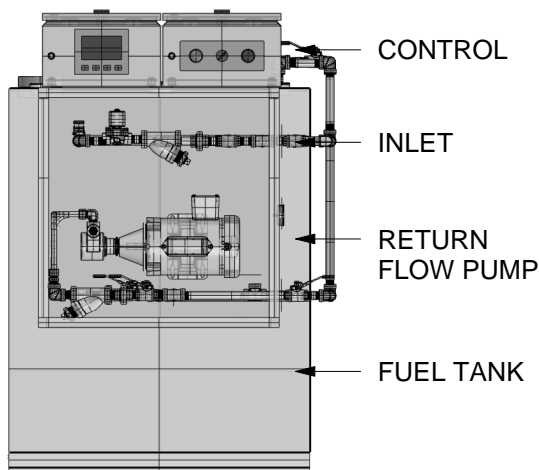
PERSPECTIVE



SIDE VIEW



FRONT VIEW



DOUBLE WALL TANK DIMENSIONS AND WEIGHT

MODEL	W	L	H	EMPTY	OPER
GAL	IN	IN	IN	LB	LB
50	25	31	24	700	1100
100	25	31	42	950	1700
150	25	31	60	1200	2300
200	25	40	60	1400	2900
250	25	49	60	1600	3400
300	25	55	60	1750	3900
400	25	73	60	2200	5000
500	25	88	60	2500	6000
600	31	85	60	2700	6900
800	37	94	60	3100	8800
1000	43	103	60	3600	10700

TANK DETAILS LEGEND

MARK	SIZE	DESCRIPTION
	IN	
1	1	ENGINE SUPPLY
2	1	ENGINE RETURN
3	1	OVERFLOW
4	1	LEVEL SENSOR
5	1	LEVEL TRANSMITTER
6	2	VENT
7	2	FILL / INSPECT PORT
8	2	PRESSURE GAUGE
9	2	CONTROL PANEL
10	2	TRANSFER PUMP