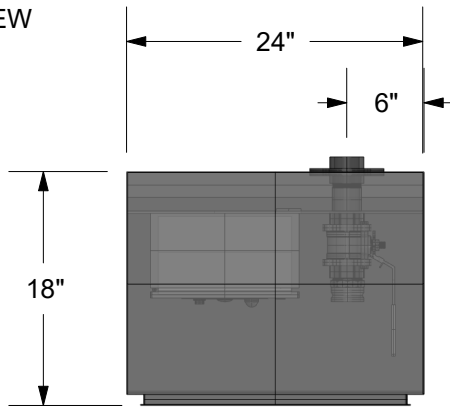
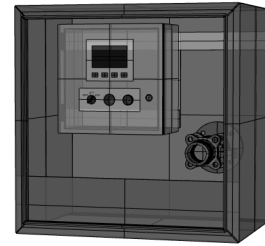


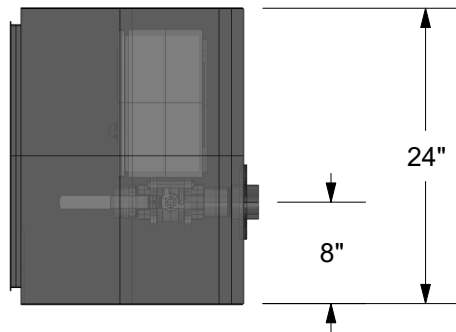
TOP VIEW



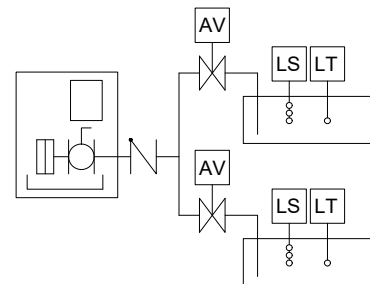
PERSPECTIVE



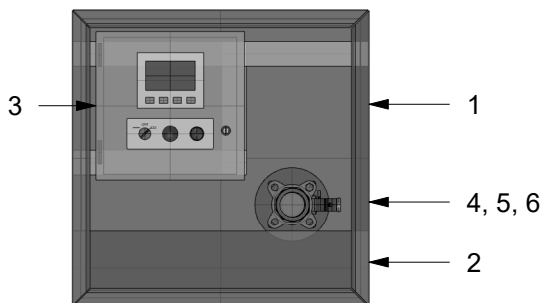
SIDE VIEW



FLOW DIAGRAM



FRONT VIEW



FILL STATION		
MARK	QTY	DESCRIPTION
	EA	
1	1	ENCLOSURE 24X24 STAINLESS
2	1	CONTAINMENT BASIN
3	1	CONTROL PANEL
4	1	2 IN BALL VALVE
5	1	2 IN CAMLOCK ADAPTER
6	1	2 IN CAMLOCK CAP
7	1	2 IN CHECK VALVE
8	1	2 IN ACTUATED BALL VALVE
9	1	3-POINT LEVEL SENSOR
10	1	LEVEL TRANSMITTER