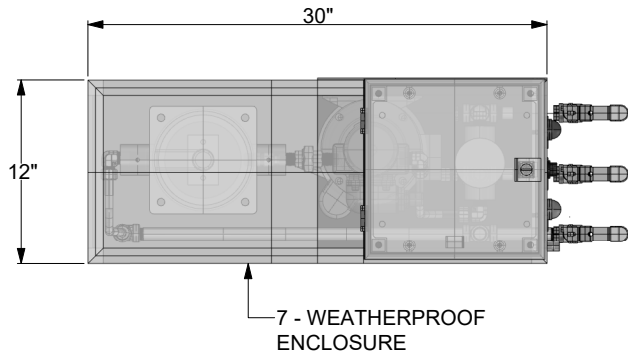


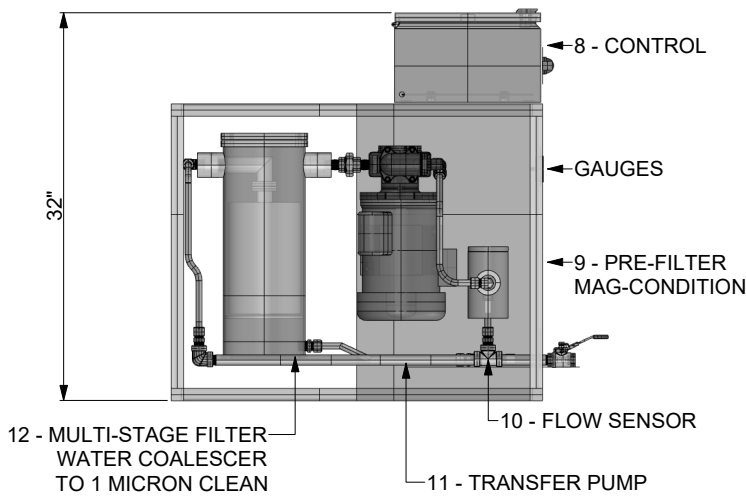
TOP VIEW



M3 FILTER POLISHER DIMENSIONS

MODEL	W	L	H	EMPTY	IN-OUT
GPM	IN	IN	IN	LB	IN
3	12	30	32	125	0.50
5	12	30	32	150	0.50
10	12	30	32	175	0.75
15	12	30	32	200	1.00
20	12	30	32	250	1.00

SIDE VIEW



FILTER POLISHER DETAILS LEGEND

MARK	QTY	DESCRIPTION
	EA	
1	1	FUEL INLET
2	1	FUEL OUTLET
3	1	FILTER DRAIN
4	1	INLET GAUGE
5	1	OUTLET GAUGE
6	1	FILTER DIFF PRESS
7	1	WEATHERPROOF ENCLOSURE
8	1	CONTROL PANEL
9	1	PRE-FILTER / MAG CONDITION
10	1	FLOW SENSOR
11	1	TRANSFER PUMP
12	1	FUEL FILTER COALESCER

FRONT VIEW

