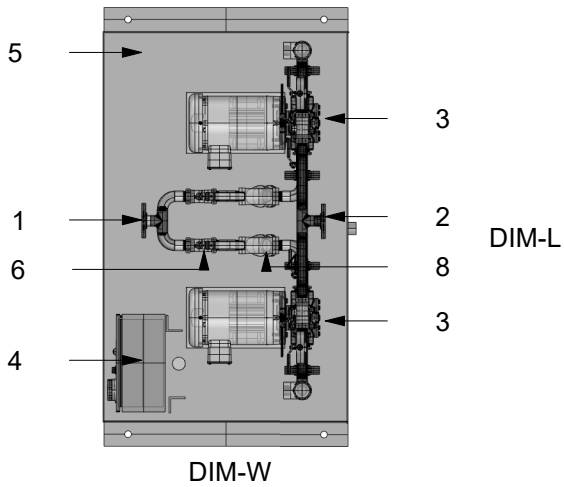


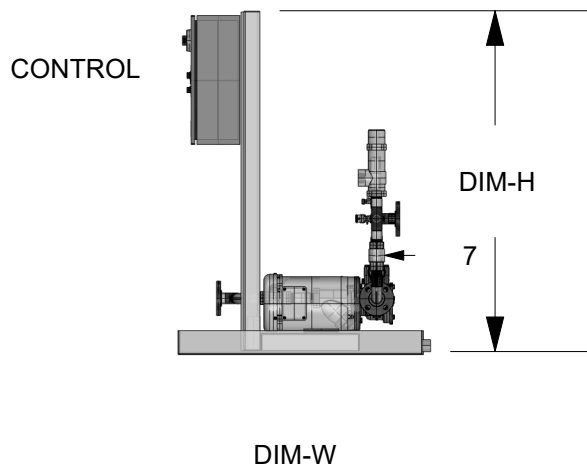
TOP VIEW



DUPLEX DIMENSIONS AND WEIGHT

MODEL	W	L	H	EMPTY	IN-OUT
GPM	IN	IN	IN	LB	IN
5	24	36	48	150	0.75
10	24	36	48	150	0.75
15	36	48	48	250	1.00
25	36	48	48	250	1.50
35	48	60	60	300	1.50
50	48	72	60	500	1.50
75	48	72	60	750	2.00
100	48	72	60	1000	2.00

SIDE VIEW



PUMP SET DETAILS LEGEND

MARK	QTY	DESCRIPTION
	IN	
1	1	INLET
2	1	OUTLET
3	2	PUMP AND MOTOR
4	1	CONTROL PANEL
5	1	CONTAINMENT BASE
6	4	BALL VALVE
7	2	CHECK VALVE
8	2	STRAINER
9	1	SUCTION GAUGE
10	1	PRESSURE GAUGE
11	1	PRESSURE CONTROL VALVE

FRONT VIEW

