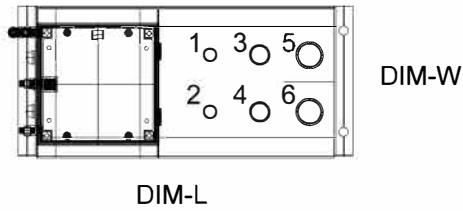


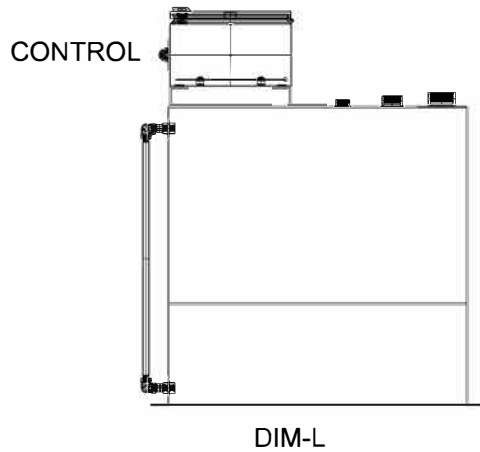
TOP VIEW



SINGLE WALL TANK DIMENSIONS AND WEIGHT

MODEL	W	L	H	EMPTY	OPER
GAL	IN	IN	IN	LB	LB
25	12	24	24	100	330
50	12	24	48	170	620
75	12	30	48	200	880
100	12	36	54	280	1180
250	24	48	54	440	2690
500	24	84	60	680	5180
750	36	84	60	840	7590
1000	42	96	60	1060	10060

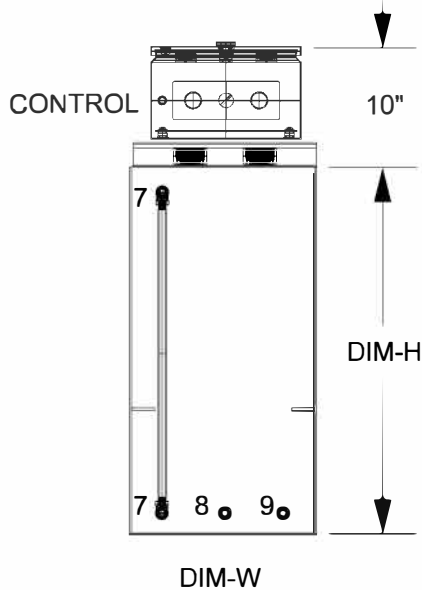
SIDE VIEW



DOUBLE WALL TANK DIMENSIONS AND WEIGHT

MODEL	W	L	H	EMPTY	OPER
GAL	IN	IN	IN	LB	LB
25	14	26	26	200	420
50	14	24	50	340	790
75	14	32	50	400	1080
100	14	38	56	560	1460
250	26	50	56	870	3120
500	26	86	62	1350	5850
750	38	86	62	1670	8420
1000	44	98	62	2120	11120

FRONT VIEW



TANK DETAILS LEGEND

MARK	SIZE	DESCRIPTION
	IN	
1	1	DEF SUPPLY
2	1	DEF RETURN
3	1-1/2	LEVEL SENSOR
4	1-1/2	LEVEL TRANSMITTER
5	2	VENT
6	2	FILL / INSPECT PORT
7	1/4	SITE GAUGE
8	1	HEATER
9	1/2	DRAIN OR PUMP SUCTION