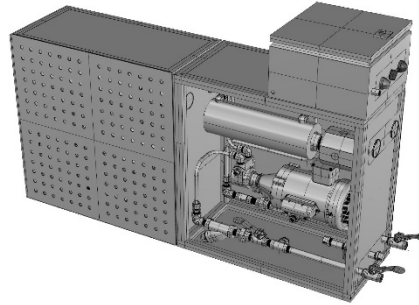




UM3C

UM3C: DEF Urea Chiller 3, 5, 10 GPM (12, 20, 40 LPM)

The UM3C DEF Urea Chiller maintains DEF Urea Temperatures in storage tanks and piping to avoid quality degradation from ambient storage temperatures. The system has an onboard pump to circulate DEF Urea through a heat exchanger to provide safe reliable cooling for steel or plastic tanks and piping. The unit is all stainless steel construction for long term reliability. Temperature sensors in the tank control the pump and chiller operation with high and low temperature alarm limits.



Dimensions	48"W x 32" H x 12"D (1200W x 750H x 300D)
Chiller	1 to 5 KW
Flow Capacity	3, 5, or 10 GPM (10, 20, or 40 LPM)
Pressure Capacity	Standard 25 PSI Max. 100 PSI (690kPa)
Pump Type	Positive Displacement Stainless Steel
Inlet / Outlet (MNPT)	3 GPM 0.50 IN (12) 5 GPM 0.50 IN (12) 10 GPM 0.75 IN (18)
Weight (Estimate)	150 LB (70 KG)
Standard Accessories	Inlet Strainers Outlet Check Valve Leak Sensor Inlet Suction Gauges Outlet Pressure Gauges Flow Sensor Pressure Relief Valve
Construction	Welded SS Construction Containment Basin Standard Open Frame

Motor	TEFC (IP 55)
Power	120-230 VAC, 1P, 50-60 Hz 0.33 – 1.5 HP (0.25–1.1KW)
Controller	C1 Controller Motor Overload Relay
Output Relays (Dry Contact)	Pump Auto Pump Run Pump Alarm
Interface	Man-Off-Auto Select Power ON Light Pump Run Light Pump Alarm Light
Sensor Inputs	Temperature Transmitter
Optional Accessories	Floor Stand C8 Control Modbus SS Enclosures 3-Phase Motor
How to Order	UM3C.03 Chiller 3 GPM UM3C.05 Chiller 5 GPM UM3C.10 Chiller 10 GPM