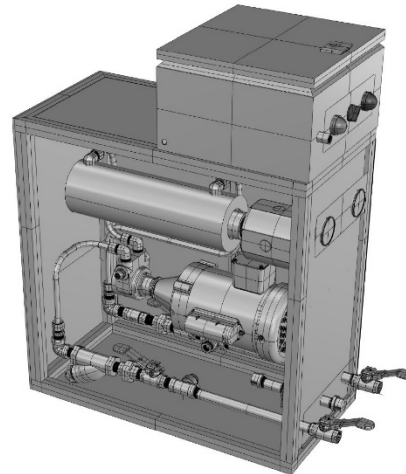


UM3

UM3: DEF Circulation Heater 3, 5, 10 GPM (12, 20, 40 LPM)

Maintain DEF tank and piping temperatures with the safe and reliable circulation heater. The Pump draws DEF from a storage tank, circulates it through distribution piping and returns to the storage tank. Temperature sensors in the tank control the pump and heater operation with high and low temperature alarm limits. Flow, leak, and over-temp sensors in the assembly assure safe reliable operation



Dimensions	24"W x 32" H x 12"D (600W x 750H x 300D)
Heater	1 to 5 KW
Flow Capacity	3, 5, or 10 GPM (10, 20, or 40 LPM)
Pressure Capacity	Standard 25 PSI Max. 100 PSI (690kPa)
Pump Type	Positive Displacement Stainless Steel
Inlet / Outlet (MNPT)	3 GPM 0.50 IN (12) 5 GPM 0.50 IN (12) 10 GPM 0.75 IN (18)
Weight (Estimate)	150 LB (70 KG)
Standard Accessories	Inlet Strainers Outlet Check Valve Leak Sensor Inlet Suction Gauges Outlet Pressure Gauges Flow Sensor Pressure Relief Valve
Construction	Welded SS Construction Containment Basin Standard Open Frame

Motor	TEFC (IP 55)
Power	120-230 VAC, 1P, 50-60 Hz 0.33 – 1.5 HP (0.25–1.1KW)
Controller	C1 Controller Motor Overload Relay
Output Relays (Dry Contact)	Pump Auto Pump Run Pump Alarm
Interface	Man-Off-Auto Select Power ON Light Pump Run Light Pump Alarm Light
Sensor Inputs	Temperature Transmitter
Optional Accessories	Floor Stand C8 Control Modbus SS Enclosures 3-Phase Motor
How to Order	UM3.03 Heater 3 GPM UM3.05 Heater 5 GPM UM3.10 Heater 10 GPM