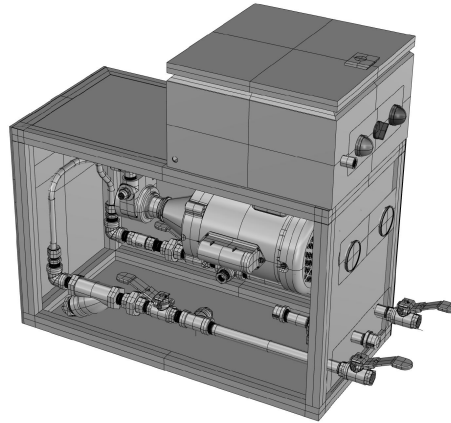


M5_{GT}

M5GT: Generator Sub-Base or Day Tank Refill With Optional Return Flow Pump

Compact open frame or with weatherproof enclosure. Controller monitors 4-5 point level sensor in tank for refill start and stop with high and low alarms. Includes inlet solenoid valve with flow limiter, shutoff valve, strainer, and manual bypass valve. 5 Versions:

- SP Simplex Pump
- VRP Inlet Solenoid Valve + Return Flow Pump
- SSP Duplex Fuel Supply Pumps
- SRP Simplex Supply Pump + Return Flow Pump
- SSR Duplex Supply Pump + Return Pipe



Dimensions	24"W x 24" H x 12" D (600W x 600H x 300D)
Flow Capacity	3 - 10 GPM Inflow (12 - 40 LPM)
Return Pump Type	Positive Displacement Viking H475 Series TEFC (IP 55) Motor
Inlet / Outlet (MNPT)	0.50 IN (12) Inlet Flow 0.75 IN (18) Return Flow
Weight (Estimate)	200 LB (180 KG)
Standard Accessories	Inlet Strainers Manual Ball Valve Solenoid Valve Leak Sensor Inlet Flow Indicator
Construction	Welded Steel Construction Containment Basin (3 GAL) Standard Open Frame

Power (With Pump)	120-230 VAC, 1P, 50-60 Hz 0.33 – 1.5 HP (0.25–1.1KW)
Controller	C1 Control Panel
Output Relays (Dry Contact)	Remote Pump Request High Level Low Level Leak Alarm Common Alarm
Interface	Man-Off-Auto Select Power ON Light Fill Active Light Alarm Light
Level Sensor	4-Point for Supply Level 1-Point for Critical High Analog Level 4-20 mA Opt
Optional Accessories	Floor Stand C8 Control Modbus CS Enclosure SS Enclosures
How to Order	M5.GT.XXX Fuel Refill