

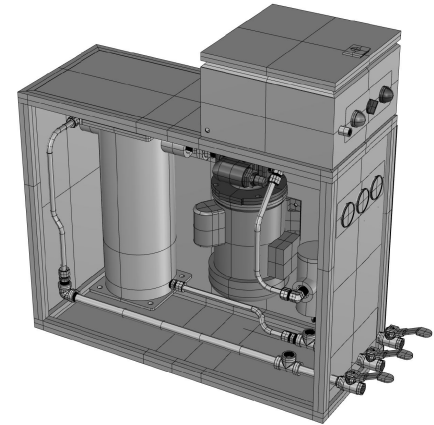
M3C FILTER POLISHER

M3

M3: Filter Polisher

3, 5, 10 GPM (12, 20, 40 LPM)

- Compact open frame or with weatherproof enclosure.
- Positive displacement pump, magnetic conditioner, centrifugal filter separator, final 1 micron dirt and water.
- Monitors inlet vacuum, outlet high pressure, filter water, flow, and leak. Programmable controller with display, cycle time settings, pump run hour meter.
- HOA switch and lights for power, pump run, and alarm.



Dimensions	36"W x 32" H x 12"D (900W x 800H x 300D)
Flow Capacity	3, 5, or 10 GPM (10, 20, or 40 LPM)
Pressure Capacity	Standard 25 PSI (170 kPa)
Pump Type	Positive Displacement Viking H475 Series
Inlet / Outlet (MNPT)	3 GPM 0.50 IN (12) 5 GPM 0.50 IN (12) 10 GPM 0.75 IN (18)
Weight (Estimate)	300 LB (140 KG)
Standard Accessories	Mag Conditioner Filter Separator Final Filter 1 Micron + Water Suction – Pressure Gauges Flow, Leak, Vacuum, Pressure, and Filter Water Sensors
Construction	Welded Steel Construction Containment Basin (3 GAL) Standard Open Frame

Motor	TEFC (IP 55)
Power	120-230 VAC, 1P, 50-60 Hz 0.33–1.0 HP (0.25–0.75KW)
Controller	C1 Controller Motor Overload Relay
Output Relays (Dry Contact)	Filter Run Filter Alarm Filter Leak
Interface	Man-Off-Auto Select Power ON Light Pump Run Light Pump Alarm Light
Operator Programming	DOW and Time Start Cycle Time HR-MIN
Optional Accessories	Floor Stand C8 Control Modbus Interface CS Enclosure SS Enclosures Dual-Tank Control
How to Order	M3.03 Filter-Polish 3 GPM M3.05 Filter-Polish 5 GPM M3.10 Filter-Polish 10 GPM