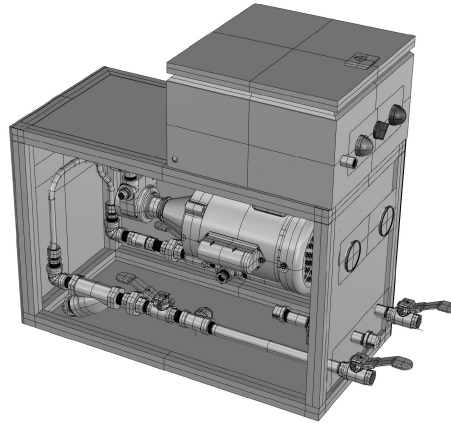


# M1

## M1: Simplex Transfer Pumps 3, 5, 10 GPM (12, 20, 40 LPM) Supply or Return

Compact open frame or with weatherproof enclosure. Positive displacement pump has excellent suction characteristics. Controller includes motor starter, overload relay, disconnect switch, lights for power, active, and alarm. TEFC 120-230 VAC, 50-60 Hz. Includes manual valve, check valve, strainer, inlet-outlet gauges, pressure relief valve, leak sensor, flow sensor. Controls will integrate 1-4 point level sensors for control logic.



<b>Dimensions</b>	24"W x 24" H x 12"D (600W x 600H x 300D)
<b>Flow Capacity</b>	3, 5, or 10 GPM (10, 20, or 40 LPM)
<b>Pressure Capacity</b>	Standard 25 PSI Max. 100 PSI (690kPa)
<b>Pump Type</b>	Positive Displacement Viking H475 Series
<b>Inlet / Outlet (MNPT)</b>	3 GPM 0.50 IN (12) 5 GPM 0.50 IN (12) 10 GPM 0.75 IN (18)
<b>Weight (Estimate)</b>	150 LB (140 KG)
<b>Standard Accessories</b>	Inlet Strainers Outlet Check Valve Leak Sensor Inlet Suction Gauges Outlet Pressure Gauges Flow Sensor Pressure Relief Valve
<b>Construction</b>	Welded Steel Construction Containment Basin (3 GAL) Standard Open Frame

<b>Motor</b>	TEFC (IP 55)
<b>Power</b>	120-230 VAC, 1P, 50-60 Hz 0.33 – 1.5 HP (0.25–1.1KW)
<b>Controller</b>	C1 Controller Motor Overload Relay
<b>Output Relays (Dry Contact)</b>	Pump Auto Pump Run Pump Alarm
<b>Interface</b>	Man-Off-Auto Select Power ON Light Pump Run Light Pump Alarm Light
<b>Level Sensor Inputs (Optional)</b>	2-Point for Return Flow 4-Point for Supply Level
<b>Optional Accessories</b>	Floor Stand C8 Control Modbus CS Enclosure SS Enclosures 3-Phase Motor
<b>How to Order</b>	M1.03 Simplex 3 GPM M1.05 Simplex 5 GPM M1.10 Simplex 10 GPM