

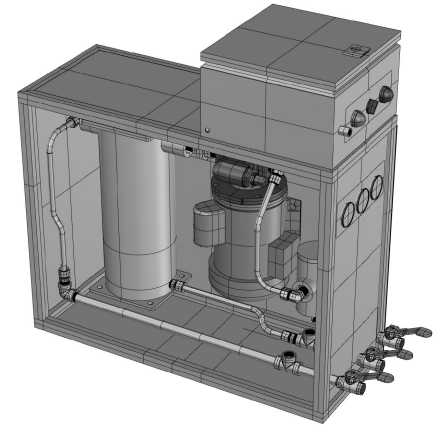
# LM3 LUBE OIL FILTER

## LM3

### LM3: Lube Oil Filter Purifier

#### 3, 5, 10 GPM (12, 20, 40 LPM)

- Compact open frame or with weatherproof enclosure.
- Positive displacement pump, magnetic conditioner, centrifugal filter separator, final 1 micron dirt and water.
- Monitors inlet vacuum, outlet high pressure, filter water, flow, and leak. Programmable controller with display, cycle time settings, pump run hour meter.
- HOA switch and lights for power, pump run, and alarm.



<b>Dimensions</b>	36"W x 32" H x 12"D (900W x 800H x 300D)
<b>Flow Capacity</b>	3, 5, or 10 GPM (10, 20, or 40 LPM)
<b>Pressure Capacity</b>	Standard 25 PSI (170 kPa)
<b>Pump Type</b>	Positive Displacement Viking H475 Series
<b>Inlet / Outlet (MNPT)</b>	3 GPM 0.50 IN (12) 5 GPM 0.50 IN (12) 10 GPM 0.75 IN (18)
<b>Weight (Estimate)</b>	300 LB (140 KG)
<b>Standard Accessories</b>	Mag Conditioner Filter Separator Final Filter 1 Micron + Water Suction – Pressure Gauges Flow, Leak, Vacuum, Pressure, and Filter Water Sensors
<b>Construction</b>	Welded Steel Construction Containment Basin (3 GAL) Standard Open Frame

<b>Motor</b>	TEFC (IP 55)
<b>Power</b>	120-230 VAC, 1P, 50-60 Hz 0.33–1.0 HP (0.25–0.75KW)
<b>Controller</b>	C1 Controller Motor Overload Relay
<b>Output Relays (Dry Contact)</b>	Filter Run Filter Alarm Filter Leak
<b>Interface</b>	Man-Off-Auto Select Power ON Light Pump Run Light Pump Alarm Light
<b>Operator Programming</b>	DOW and Time Start Cycle Time HR-MIN
<b>Optional Accessories</b>	Floor Stand C8 Control Modbus Interface CS Enclosure SS Enclosures Dual-Tank Control
<b>How to Order</b>	M3.03 Filter-Polish 3 GPM M3.05 Filter-Polish 5 GPM M3.10 Filter-Polish 10 GPM