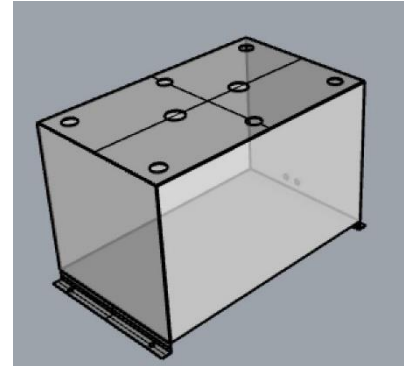


M6

M6: Cubic Tank UL142 DW / UL2085 Fire Rate

- Cubic Steel Fuel Tanks with Containment
- Accessories: Emer. And Standard Vent Caps, Direct Read Gauge, Inspect Port, Fill, Suction Pipe and Return Fittings
- C1 Tank Monitor Panel with High, Low, Leak Alarm, Output Relays, 4-20mA Analog Transmitter and Leak Sensor



Tank Specification	UL 142 Steel Cubic DW Tank White Epoxy Coating
Controller	C1 Control Panel
Power	120-230 VAC, 1P, 50-60 Hz
Interface	Power ON Light Analog Level Display Alarm Light Hi-Lo-Leak Modbus to BMS
Output Relays (Dry Contact)	High and Low Level Leak Alarm Common Alarm
Standard Accessories	Emer and Standard Vent Caps Level Indicator, Gauge Port, Foot and Anti-Siphon Valves, Analog Level and Leak Sensor
Optional Accessories	Tank Heater Internal Epoxy Coating Manway 22 IN Ladder External

Model	GAL	WxLxH IN	Liter	W.L.H CM
M6.250	250	30x48x48	1000	75.120.120
M6.500	500	42x60x54	2000	110.150.140
M6.750	750	48x72x54	3000	120.180.140
M6.1000	1000	48x90x60	4000	120.230.150
M6.1500	1500	60x90x72	6000	150.230.180
Fire Rated:				
M6FR.250	250	36x54x54	1000	90.140.140
M6FR.500	500	48x66x60	2000	120.170.150
M6FR.750	750	54x78x60	3000	140.200.150
M6FR.1000	1000	54x96x66	4000	140.240.170
M6FR.1500	1500	66x96x78	6000	170.240.200
Other Equipment	M2 Duplex Fuel Transfer Pumps M3 Filter Polisher Units M4 Remote Fill System M5 Day Tanks Temperature Sensors and Control			