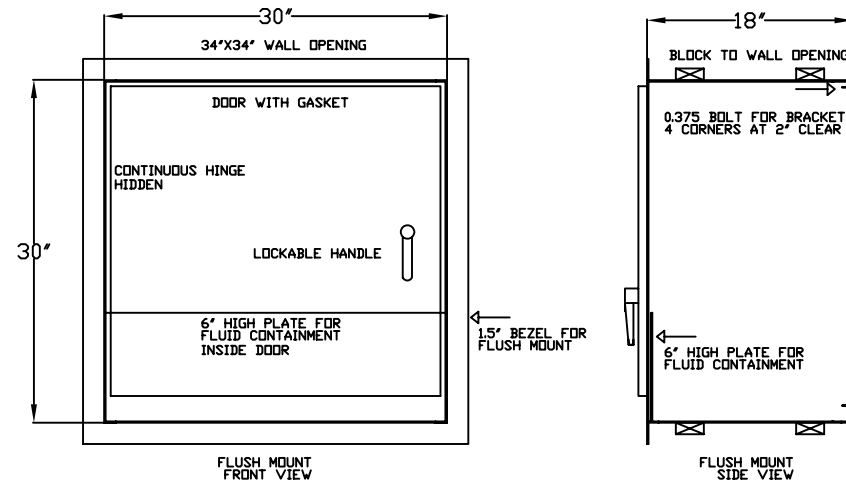
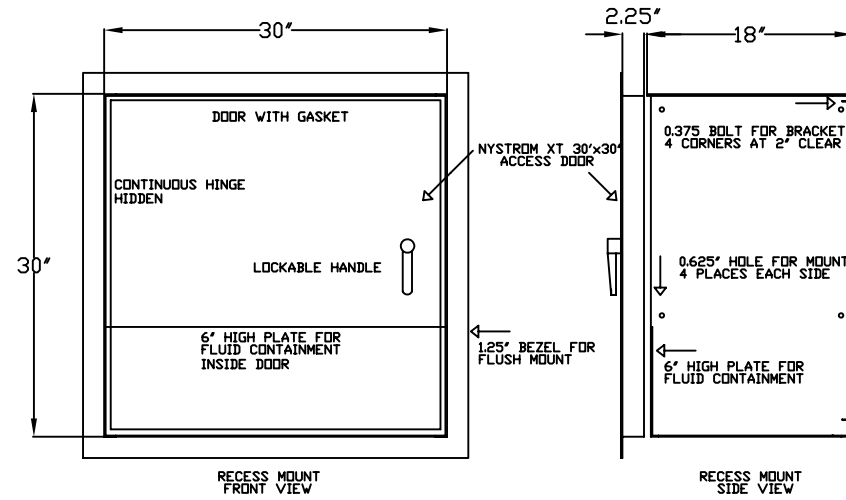


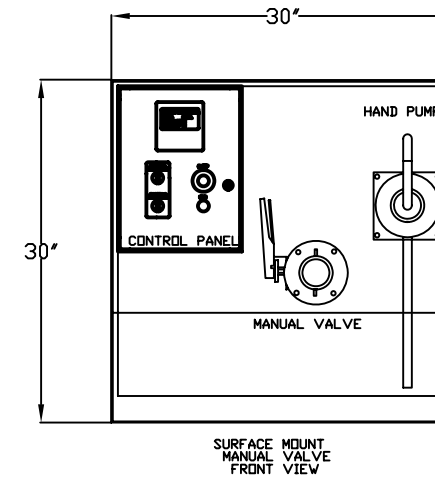
SURFACE MOUNT



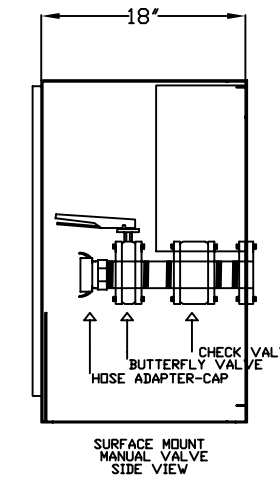
FLUSH MOUNT



RECESS MOUNT

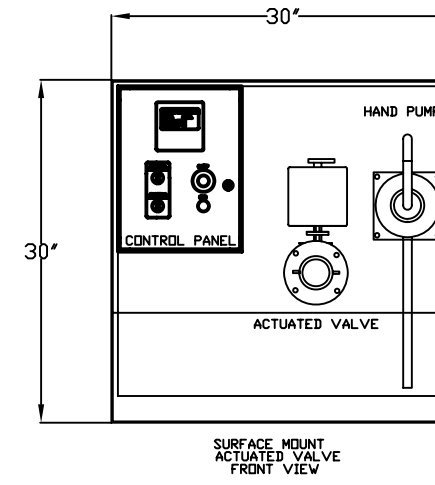


SURFACE MOUNT
MANUAL VALVE
FRONT VIEW

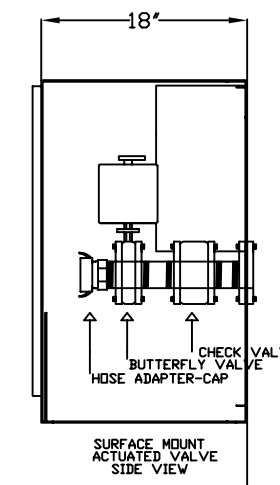


SURFACE MOUNT
MANUAL VALVE
SIDE VIEW

MANUAL STATION

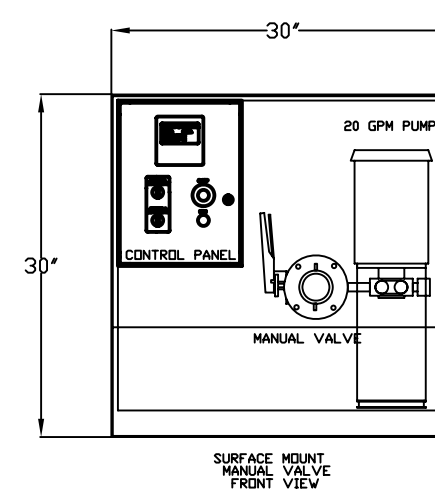


SURFACE MOUNT
ACTUATED VALVE
FRONT VIEW

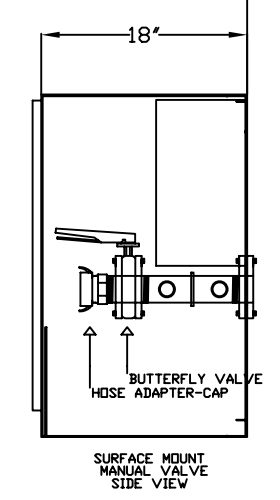


SURFACE MOUNT
ACTUATED VALVE
SIDE VIEW

AUTO STATION



SURFACE MOUNT
MANUAL VALVE
FRONT VIEW



SURFACE MOUNT
MANUAL VALVE
SIDE VIEW

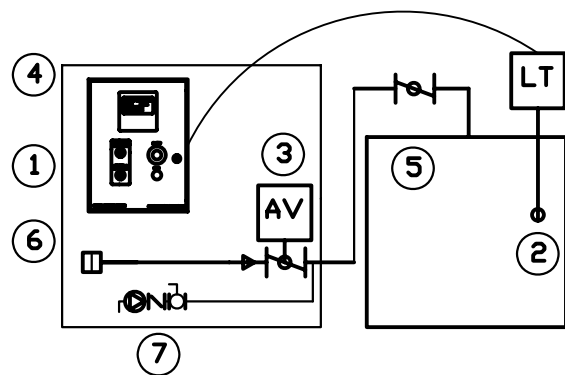
PUMP STATION

REV	DATE	BY	DESCRIPTION
A	1-1-08	BE	DESIGN DEVELOPMENT

CONFIDENTIAL

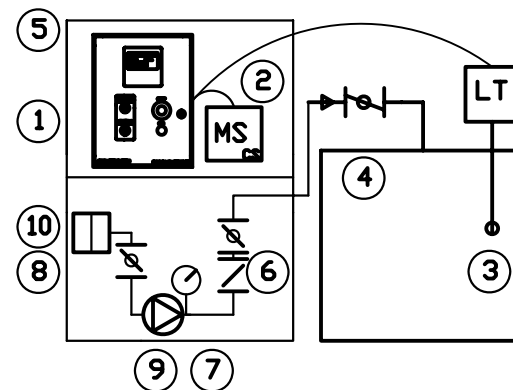
ENGINEER APPROVAL BY:	DATE	
DRAWN BY:	DATE	1-1-08
CHECKED BY:	DATE	
SCALE	AS NOTED	

CLIENT	
PROJECT TITLE	
LOCATION	



TANK FILL CONTROL - SINGLE TANK STANDARD

MARK	QTY	DESCRIPTION
1	1	OMNIPLEX CONTROL PANEL
2	1	TANK LEVEL SENSOR
3	1	ACTUATED BUTTERFLY VALVE
4	1	FILL STATION CABINET
5	1	BUTTERFLY VALVE
6	1	HOSE ADAPTER / CAP
7	1	HAND PUMP ASSEMBLY



TANK FILL CONTROL - SINGLE TANK PUMPED

MARK	QTY	DESCRIPTION
1	1	OMNIPLEX CONTROL PANEL
2	1	PUMP CONTROL PANEL
3	2	TANK LEVEL SENSOR
4	1	BUTTERFLY VALVE
5	1	FILL STATION CABINET
6	1	CHECK VALVE
7	1	PRESSURE VACUUM GAUGE
8	1	BUTTERFLY VALVE
9	1	PUMP
10	1	HOSE ADAPTER / CAP

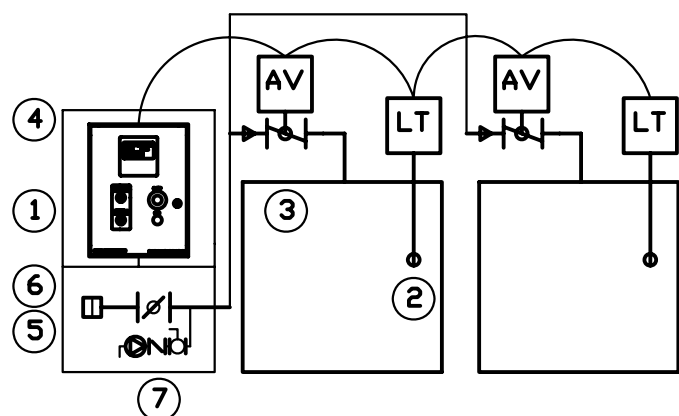
REV	DATE	BY	DESCRIPTION
A	1-1-08	BE	DESIGN DEVELOPMENT

CONFIDENTIAL
THIS DRAWING SHALL BE USED ONLY AS SPECIFIED BY CONTRACT. ANY OTHER USE, REPRODUCTION OR DISCLOSURE TO OTHERS WITHOUT WRITTEN PERMISSION IS PROHIBITED.

ENGINEER APPROVAL BY:	DATE	
DRAWN BY:	BE	DATE 1-1-08
CHECKED BY:		DATE
SCALE:	AS NOTED	

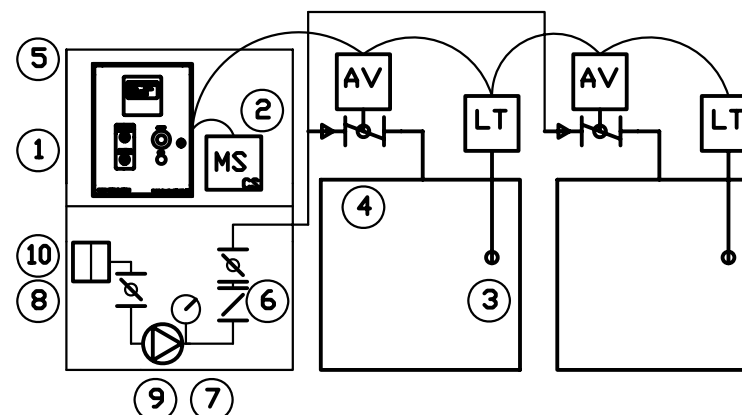
CLIENT:	
PROJECT TITLE:	
LOCATION:	

SHEET TITLE:	COMPACT FILL STATION EQUIPMENT LIST AND FLOW DIAGRAMS	
SIZE:	SHEET:	NUMBER:
D	M2	ES2008-M400



TANK FILL CONTROL - DUAL TANK STANDARD

MARK	QTY	DESCRIPTION
1	1	OMNIPLEX CONTROL PANEL
2	2	TANK LEVEL SENSOR
3	2	ACTUATED BUTTERFLY VALVE
4	1	FILL STATION CABINET
5	1	BUTTERFLY VALVE
6	1	HOSE ADAPTER / CAP
7	1	HAND PUMP ASSEMBLY



TANK FILL CONTROL - DUAL TANK PUMPED

MARK	QTY	DESCRIPTION
1	1	OMNIPLEX CONTROL PANEL
2	1	PUMP CONTROL PANEL
3	2	TANK LEVEL SENSOR
4	2	ACTUATED BUTTERFLY VALVE
5	1	FILL STATION CABINET
6	1	CHECK VALVE
7	1	PRESSURE VACUUM GAUGE
8	1	BUTTERFLY VALVE
9	1	PUMP
10	1	HOSE ADAPTER / CAP

TANK FILL CONTROL

The control panel monitors a high level sensor in the fuel tank and controls the opening of the actuated valve in the fill pipe. The tank to be filled is selected at the control panel. The fill valve is energized to open, as long as the tank level is below 85%. The fill valve limit switch provides feedback to the panel, so that when filling multiple tanks only one valve is open at a time.

Fuel is transferred into the tank until the 85% tank level is reached and an audible alarm is activated. The audible alarm sounds for 60 seconds or until reset using the panel operator interface screen. At 90% fill level the audible alarm is re-activated and fill pipe valve is closed. The fill pipe valve can be re-opened to drain the fill pipe for a 30 second period, after which the valve is disabled in the closed position until the tank level is reduced to normal level.

TANK FILL CONTROL - Pumped Flow

The control panel monitors a high level sensor in the fuel tank and controls the opening of the actuated valve in the fill pipe. The tank to be filled is selected at the control panel. The fill valve is energized to open, as long as the tank level is below 85%. The fill valve limit switch provides feedback to the panel, so that when filling multiple tanks only one valve is open at a time.

The transfer pump is operated by placing its motor starter in the AUTO position. Fuel is transferred into the tank until the 85% tank level is reached and an audible alarm is activated. The audible alarm operates for 60 seconds, or until reset. At 90% fill level the alarm is re-activated and the transfer pump is disabled, and the fill pipe is closed. The transfer pump and fill pipe valve may be operated in the manual mode for 30 second increments up to 95% tank level, at which point the pump and valve are closed and disabled.

Specifications and Notes

1. Fill Station enclosure constructed from stainless steel 14 gauge.
2. Front door and bezel have an architectural finish and balance is plain finish.
3. Enclosure is constructed to NEMA 4 standards.

REV	DATE	BY	DESCRIPTION
A	1-1-08	BE	DESIGN DEVELOPMENT

REVISIONS

CONFIDENTIAL

THIS DRAWING SHALL BE USED ONLY AS SPECIFIED BY CONTRACT. ANY OTHER USE, REPRODUCTION OR DISCLOSURE TO OTHERS WITHOUT WRITTEN PERMISSION IS PROHIBITED.

ENGINEER APPROVAL BY:	DATE	1-1-08
DRAWN BY:	BE	DATE
CHECKED BY:	DATE	
SCALE	AS NOTED	

CLIENT	
PROJECT TITLE	
LOCATION	

SHEET TITLE	COMPACT FILL STATION FUNCTIONAL DESCRIPTION AND NOTES	
SIZE	SHEET	NUMBER
D	M3	ES2008-M400