

Single-Phase Smart Controller

Designed to replace standard control boxes in both new and existing installations. The STP-SCI provides valuable pump protection and performance features never before offered in one economical controller.



Feature	STP-SCI	Standard Control Box
Dry run protection with automatic reset	Yes	No
Low voltage detection	Yes	No
Pump motor failure detection	Yes	No
Open circuit detection	Yes	No
Extended pump run detection	Yes	No
Slave pump auto start operation	Yes	No
Auto sequencing of manifold pump	Yes	No
Fault diagnostic lights	Yes	No
Pump operating light	Yes	Yes
High voltage surge protection	Yes	No
Fault history storage	Yes	No
Power "ON" light	Yes	No
External run light provision	Yes	Yes
Compatible with 1/3 through 2 hp	Yes	Yes
30 Amp line relay	Yes	Yes

Specifications:

- Controller size: 8-1/2" x 5" x 3" (215 mm x 127 mm x 76 mm).
- Relay amperage rating: 30 Amps.
- Relay/hook signal voltage: 120/240 Volt.
- Compatible with all FE Petro single-phase submersibles and competitive makes.

Approvals

- Consult factory for applicable approvals.

Quality Certification

- Franklin Fueling Systems is an ISO 9001 Certified Manufacturer.

Advantages

Easy Retrofit - The STP-SCI is compatible with single-phase 1/3 through 2 hp STPs from FE Petro or other competitive models. Retrofitting an existing station requires replacing an existing control box with the STP-SCI and pressing the reset button to allow the controller to automatically "learn" the electrical characteristics of the pump.

History Storage of Pump Conditions - The STP-SCI automatically logs the last five abnormal conditions seen in the pumping system. This data is retained in non-volatile memory. Service technicians can then quickly view a history of abnormal conditions, particularly useful when troubleshooting intermittent conditions.



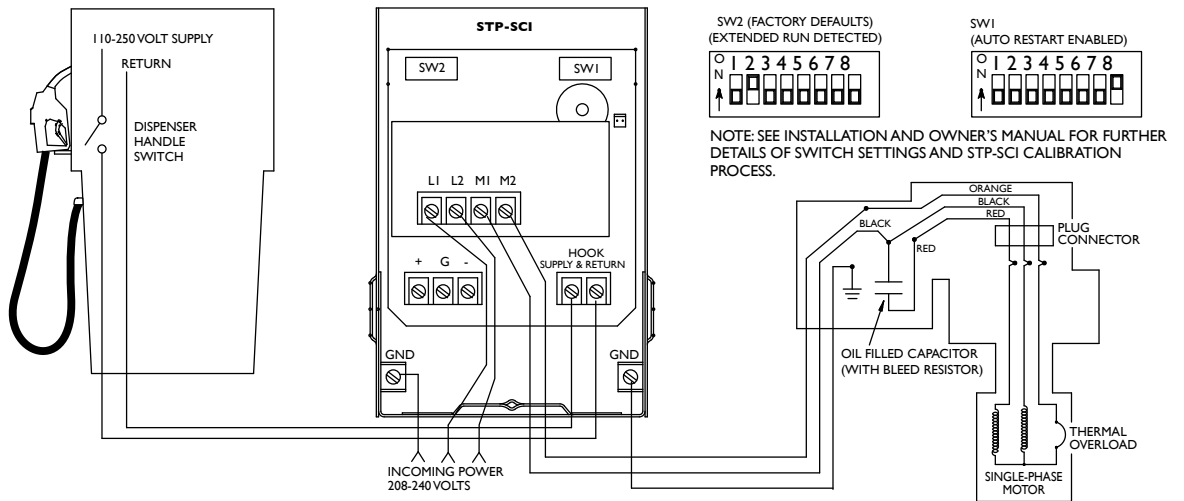
STP-SCI Single-Phase Smart Controller

Part Number	Description
402312921	STP-DHI-SCI, combo DHI with factory wired STP-SCI (when purchased with a 4" STP)
402312921	STP-DHI-SCI, combo DHI with factory wired STP-SCI (when purchased without a 4" STP)*
5800100215	STP-SCI, single-phase smart controller (when purchased with a 4" STP)*
5800100215	STP-SCI, single-phase smart controller (when purchased without a 4" STP)

Notes: 1. SCI models are compatible with all single-phase FE Petro submersibles and competitive makes.
 2. One SCI required per submersible. Relay rated for 30 Amps (up to 2 hp).
 3. SCI models are not compatible for use in master/slave configurations with STP-SC models.

*When purchasing STP-SCI or STP-DHI-SCI in equal quantities of fixed speed 4" STPs, the STP-SCI or STP-DHI-SCI will be invoiced at special discount pricing.

STP-SCI Single-Phase Smart Controller Standalone Wiring Diagram



Note: See product installation instructions for further details. Wiring must conform to all federal, state and local codes. Control panels are for non-hazardous indoor use only.