

# POMECO/OPW 221AST & 211AST DIRECT-FILL ABOVEGROUND STORAGE TANK SPILL CONTAINERS

POMECO/OPW Direct-Fill AST Spill Containers are designed to prevent spilled product from entering soil near the fill and vapor return riser connections on an aboveground storage tank during normal tank filling operation. The spill containers catch spillage to help prevent soil contamination and groundwater pollution. POMECO/OPW Direct-Fill AST Spill Containers thread on the top of an aboveground tank and allow for drainage of spilled product back into the tank.

## 221AST Features:

- ◆ Easy Installation – 2", 4" and 6" NPT threaded base screws directly to the tank riser pipe. No further adjustments are needed.
- ◆ Integral Pull-to-Open Drain Valve – Allows high-speed drainage of spilled product back into the tank. Push-to-Drain valves are standard on all UL and ULC Listed spill containers.
- ◆ Capacity – Available in 3.5-gallon (13.2 liter) or 7-gallon (26.5 liter) container capacity. Smaller 3.5-gallon capacity containers are well suited for 55-gallon drum and waste oil applications. Larger 7-gallon capacity spill containers provide additional clearance for 61fSTOP Overfill Prevention Valves.
- ◆ Rain-Shedding Cover Design – Hooded cover design helps prevent water or snow entry by extending the lip of the cover over the body of the spill container.
- ◆ Welded-Hinge, Lockable Hatch – The cover includes a provision for a padlock and a welded-hinge assembly for added security.
- ◆ 12 Gauge Epoxy-Powder Coated Steel Construction – Heavy-duty materials, compatible with hydrocarbons, for long service life and added security.
- ◆ Lightweight Spun Steel Design – Spun steel construction provides for a lightweight, one-piece design for easy installation and promotes a clean, sleek appearance on aboveground tanks.

## 211AST Features:

The POMECO/OPW 211AST is similar to the 221AST except in the design of the spill container base and spill containment capacity is limited to 7 gallons.

- ◆ Heavyweight, Welded Base Design – Thick welded steel base and 12-gauge steel walls provide solid strength for heavy-duty applications.
- ◆ 6211-SCNC – Supplied less cover, hinge and lockable latch.

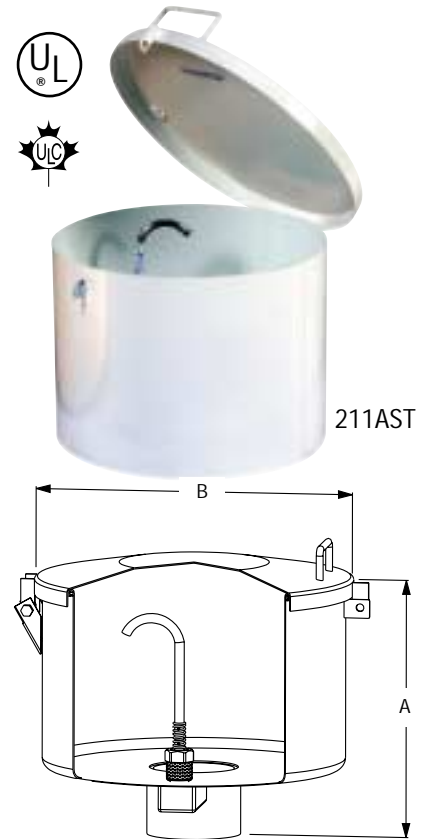
## Ordering Specifications

| Model No.    | Capacity<br>gal. liters | Color | With Drain Valve=V | Fill Riser<br>NPT | A<br>in. cm. | B<br>in. cm. | Weight<br>lbs. kg. | List<br>Price |
|--------------|-------------------------|-------|--------------------|-------------------|--------------|--------------|--------------------|---------------|
| 6221-ASTW76P | 7 26.5                  | White |                    | 6"                | 14½" 37      | 17" 43       | 23 10.4            | \$444.90      |
| 6221-ASTW74V | 7 26.5                  | White | V-Pull             | 4"                | 14½" 37      | 17" 43       | 23 10.4            | \$344.20      |
| 6221-ASTB74V | 7 26.5                  | Black | V-Pull             | 4"                | 14½" 37      | 17" 43       | 23 10.4            | \$344.20      |
| 6221-ASTW74  | 7 26.5                  | White |                    | 4"                | 14½" 37      | 17" 43       | 23 10.4            | \$302.10      |
| 6221-ASTB74  | 7 26.5                  | Black |                    | 4"                | 14½" 37      | 17" 43       | 23 10.4            | \$302.10      |
| 6221-ASTW72V | 7 26.5                  | White | V-Pull             | 2"                | 12¼" 31      | 17" 43       | 23 10.4            | \$333.95      |
| 6221-ASTB72V | 7 26.5                  | Black | V-Pull             | 2"                | 12¼" 31      | 17" 43       | 23 10.4            | \$333.95      |
| 6221-ASTW72  | 7 26.5                  | White |                    | 2"                | 12¼" 31      | 17" 43       | 23 10.4            | \$250.70      |
| 6221-ASTB72  | 7 26.5                  | Black |                    | 2"                | 12¼" 31      | 17" 43       | 23 10.4            | \$266.10      |
| 6221-ASTW34  | 3.5 13.2                | White |                    | 4"                | 9¼" 24       | 17" 43       | 19 8.6             | \$211.70      |
| 6221-ASTB34  | 3.5 13.2                | Black |                    | 4"                | 9¼" 24       | 17" 43       | 19 8.6             | \$211.70      |
| 6221-ASTW32  | 3.5 13.2                | White |                    | 2"                | 8" 20        | 17" 43       | 19 8.6             | \$172.60      |
| 6221-ASTB32  | 3.5 13.2                | Black |                    | 2"                | 8" 20        | 17" 43       | 19 8.6             | \$172.60      |
| 6211-ASTWUL  | 7 26.5                  | White | V-Push             | 4"                | 12¼" 31      | 17¼" 44      | 56 25.5            | \$354.50      |
| 6211-ASTWULC | 7 26.5                  | White | V-Push             | 4"                | 12¼" 31      | 17¼" 44      | 56 25.5            | \$354.50      |
| 6211-ASTBUL  | 7 26.5                  | Black | V-Push             | 4"                | 12¼" 31      | 17¼" 44      | 56 25.5            | \$354.50      |
| 6211-ASTBULC | 7 26.5                  | Black | V-Push             | 4"                | 12¼" 31      | 17¼" 44      | 56 25.5            | \$354.50      |
| 6211-ASTW    | 7 26.5                  | White | V-Pull             | 4"                | 12¼" 31      | 17¼" 44      | 56 25.5            | \$344.20      |
| 6211-ASTB    | 7 26.5                  | Black | V-Pull             | 4"                | 12¼" 31      | 17¼" 44      | 56 25.5            | \$344.20      |
| 6211-SCNC    | 7 26.5                  | Black | V-Pull             | 4"                | 12¼" 31      | 17¼" 44      | 50 22.7            | \$214.75      |

For customized options, please contact your POMECO/OPW representative for complete ordering information.



- ◆ UL and ULC Listed – Models are available with UL or ULC Listing. Push-to-Drain valves are standard on all UL and ULC Listed spill containers and are clearly labeled to identify the listing.



## Optional Plug or Drain Valve

| Part No. | Description                                 | List Price |
|----------|---|------------|
| PC04422  | 4" Long Pipe Plug 7 Gal.                    | \$42.45    |
| PC04423  | 4" Short Pipe Plug 3.5 Gal.                 | \$42.45    |
| PC04424  | 2" Long Pipe Plug 7 Gal.                    | \$20.50    |
| PC04425  | 2" Short Pipe Plug 3.5 Gal.                 | \$20.50    |
| PC04426  | Brass Drain Valve, Pull-To-Open             | \$53.25    |
| PC04427  | Brass Drain Valve, Pull-To-Open<br>UL & ULC | \$53.75    |