

Fig. 710 Solenoid Valve

Normally Closed

The Fig 710 Solenoid Valve is a two-way, one directional flow, hung piston valve that is normally closed in the "at rest" position. The valve opens upon receipt of an electronic signal such as when a dispenser or pump is switched on. CSA certified. Available in forged bronze or stainless steel.

- Operates at 120 volts (240 volts available).
- Includes a continuous duty Class H standard coil. Other options are available.
- Must be mounted with solenoid vertical and upright.
- No differential pressure is required to open the valve.
- Connects to a 1/2" conduit.
- Enclosure is watertight and rated for hazardous locations - NEMA 3, 4, 7 and 9; groups C and D.
- Available in Viton or Teflon seals. (3" Viton only)
- A strainer with a 100 mesh screen is recommended at the inlet.
- Has a built-in expansion relief.
- Maximum viscosity rating of 60 Centistokes.

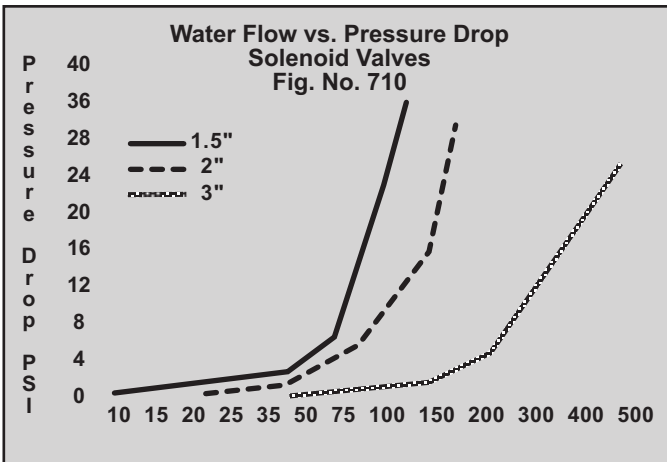
NOTICE: It is strongly recommended that a line strainer be installed at the inlet of this valve. Failure to do so may cause the valve to malfunction and void the warranty.

WARNING: Valve will not function with liquids having a viscosity greater than 60 centistokes.

WARNING: Valve will not function on the suction side of positive displacement pumps.

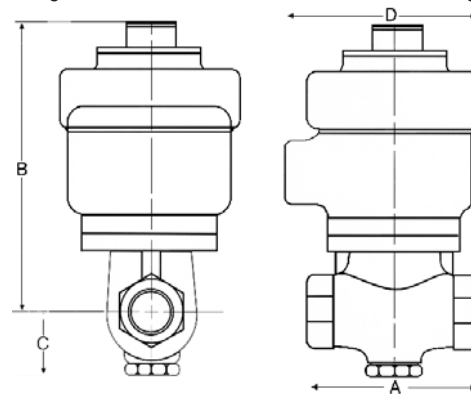


Fig. 710



Technical Data

The water flow vs. the pressure drop for each of the three sizes of the Fig 710 solenoid valve is shown in the following graph.



I.D NUMBER	SIZE (NPT)	SEAL MATERIAL	ORIFICE SIZE (INCH)	CV	OPERATING PRESSURE DIFFERENTIAL MAX. (P.S.I.)		FLUID TEMP. (MAX)	POWER CONSUMPTION (WATT) (DEG. F.)	SHIP WT. (LBS.)	GEN. DIMENSIONS (INCH)			
					MIN.	MAX.				A	B	C	D
710-0075 1V	.75"	VITON	.75	7	0	105	180	30	9.25	4	5.9	1.5	4.38
710-0100 1V	1"	VITON	1.00	12	0	105	350	30	11	4.8	6.25	1.75	4.38
710-0150 1V	1.5"	VITON	1.25	17	0	105	220	30	16.0	5.4	6.90	2.00	4.38
710-0200 1V	2"	VITON	1.50	27	0	105	350	30	16.5	5.9	7.00	2.25	4.38
710-0300 1V	3"	VITON	3.00	94	0	45	350	48	41.0	8.8	9.50	4.50	4.38
710-2150 1V	1.5"	TEFLON	1.25	18	0	105	356	30	16.5	5.4	6.9	2.0	4.38
710SS-2150 1V	1.5"	TEFLON	1.25	17	0	105	356	30	14.50	5.4	6.90	2.00	4.38
710SS-2200 1V	2"	TEFLON	1.50	26	0	105	356	30	16.15	5.9	7.00	2.25	4.38
710SS-0300 1V	3"	VITON	3.00	93.6	0	45	220	48	39.90	8.8	9.50	4.50	4.38

Morrison Bros. Co.

Fig. 711 Solenoid Valve

Normally Open

The Fig. 711 Solenoid Valve is a high flow pilot operated piston valve that is "normally open."

This general purpose valve is for applications such as pressure systems, machine tools, water processing, and steam systems.

Install on horizontal line with the solenoid coil in the upright and vertical position. Brass body.

It has a maximum viscosity rating of 60 centistokes.

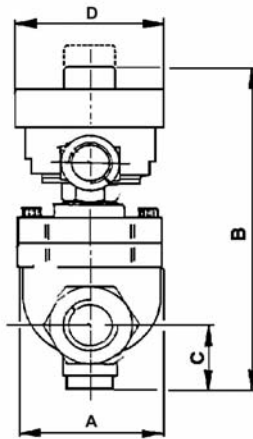


Fig. 711

NOTICE: It is strongly recommended that a line strainer be installed at the inlet of this valve. Failure to do so may cause the valve to malfunction and void the warranty.

WARNING: Valve will not function with liquids having a viscosity greater than 60 centistokes.

WARNING: Valve will not function on the suction side of positive displacement pumps.

I.D NUMBER	SIZE (NPT)	SEAL MATERIAL	ORIFICE SIZE (INCH)	CV	OPERATING PRESSURE DIFFERENTIAL MAX. (P.S.I.)		FLUID TEMP. (DEG. F.)	POWER CONSUMPTION (WATT) (DEG. F.)	SHIP WT. (LBS.)	GEN. DIMENSIONS (INCH)			
					MIN.	MAX.				A	B	C	D
711---0075 1V	.75"	VITON	.75"	6	3	225	220	30	2.6	2.05	6.10	1.02	3.23
711---0100 1V	1"	VITON	1"	13	3	225	220	30	3.75	2.60	6.30	1.18	3.23
711---0150 1V	1.5"	VITON	1.5"	30	3	200	220	30	6.75	3.15	7.09	1.46	3.23
711---0200 1V	2"	VITON	2"	47	3	200	220	30	9.47	3.86	4.48	1.77	3.23