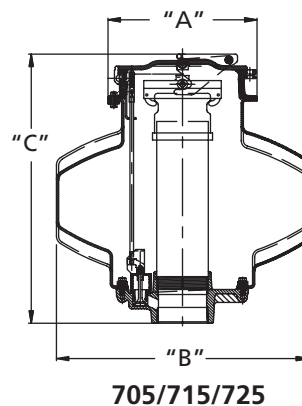
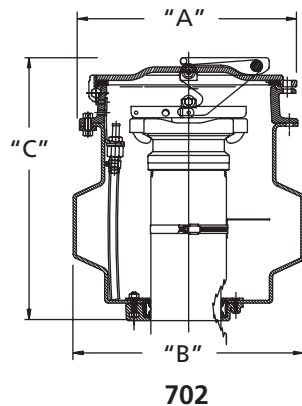


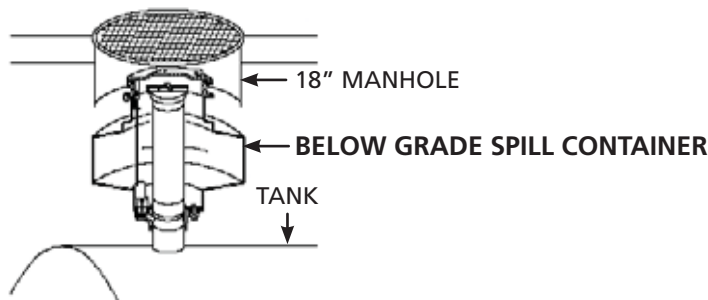


# EBW's 702, 705, 715 & 725 Series FlexCatch® Below Grade Spill Containers

EBW's below grade spill containers are equipped with a hinged, locking, watertight cover eliminating water and debris infiltration. A grade level manhole with FRC cover is installed above the spill container to allow surface water to drain into the soil and away from the spill container. Models are available with cast iron or composite threaded base, Slip-On (Retrofit) base, standard pull drain valve, and black (STD) composite or API color covers. Steel covers are available in lieu of standard black FRC covers at no additional charge.



PART	A		B		C	
	IN.	CM.	IN.	CM.	IN.	CM.
702	13.00	33.02	13.75	34.90	15.88	40.30
705	13.00	33.02	13.75	34.92	17.69	44.93
715	13.00	33.02	22.00	55.88	23.44	59.54
725	13.00	33.02	27.00	68.58	24.40	68.58



### Design Highlights & Advantages

- **Watertight Design** - the hinged, locking, watertight cover and solid body design prevents rainwater from getting into the spill container.
- **Cover Options** - includes FRC rain tight in API colors, FRC black snap-on, rain tight aluminum, watertight locking aluminum and cast iron.
- **Auto-Drain** - conforming to certain state and local regulations, the Auto-Drain is a ball float drain valve that automatically allows product to drain when the product is present.
- **Optional Cover Actuated Push Drains (C.A.P.D.)** - as the spill container cover is closed and locked in place, the drain is automatically activated allowing any spilled product to drain into the tank.
- **Centering Ring** - a styrofoam centering ring is used during installation to easily align the grade level manhole with the below grade spill container.
- **Highway 20 Rated (D.O.T. H20)** - all EBW spill containers and manholes exceed the D.O.T. H20 requirements.
- **API Cover Identification Plates** - all FRC colored covers have a recessed area on the top for a product identification plate. The identification plate clearly identifies the product contained in the storage tank. Identification plates are available for all standard API Symbols.

### Certifications/Listings

- \* CARB EVR Certification E.O. VR-103
- \* Biofuel Approved (E85 and biodiesel)

### MATERIALS

- Base:** Cast iron or composite
- Bucket:** Polyethylene
- Manhole Cover:** Fiber Reinforced Composite (FRC), steel
- Cover:** Cast iron

**Service Station Hardware**

**EBW's 702, 705, 715 & 725 Series  
FlexCatch® Below Grade Spill Containers**



**702/705 BG**  
5 gal. (19 liter)



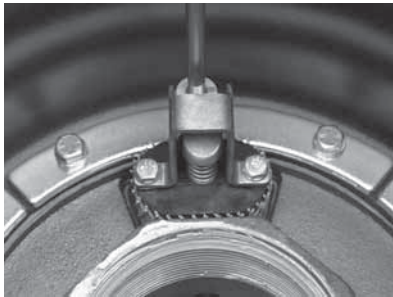
**715 BG**  
15 gal. (57 liter)



**725 BG**  
25 gal. (95 liter)



**Cover Options**



**Auto Drain**



**Watertight Locking Cover**



**Centering Ring**



**FRC Cover with Identification Plate**

## Below Grade Level Spill Containers



### Cast Iron Base

PART	GALLON	LITER	COVER/SPECIAL	LBS.	KG.
<b>With Drain</b>					
705-445-01-BLK	5	19	5 BG, MB, CAPD, 18" x 8" MH, BLK	68	31.2
705-474-01-BLK	5	19	5 BG, MB, P/P, 18" x 8" MH, BLK	94	42.6
705-474-65-BLK	5	19	5 BG, PULL-PUSH, MB, MH, NO COV	131	60.2
705-492-02-BLK	5	19	5 BG, CARB, 18" x 8" MH, BLK	94	43.0
715-474-01-BLK	15	57	15 BG (NYC), MB, P/P, 18" x 8" MH, BLK	96	43.5
715-474-65-BLK	15	57	15 BG (NYCCAN) MB, PP, 18" x 8" MH, BL	100	45.4
725-474-01-BLK	25	95	25 BG, MB, P/P, 18" x 8" MH, BLK	119	54.7
<b>Without Drain</b>					
705-477-ND-BLK	5	19	5 BG, MB, NO DRN, 18" x 24", MH, BLK	130	59

Note: You must specify color option at time of order.

### \*Below Grade Manhole 18" Cover Options

Suffix	DESCRIPTION
BLK	Black, Raintight
WHT	White, Raintight
RED	Red, Raintight
BLU	Blue, Raintight
YEL	Yellow, Raintight
GRY	Grey, Raintight
ORG	Orange, Raintight
STL	Steel
NC	No cover

# Service Station Hardware



## Below Grade Level Spill Containers

### Composite Base

PART	GALLON	LITER	COVER/SPECIAL	LBS.	KG.
<b>With Drain</b>					
705-477-ND-BLK	5	19	5 BG, MB, NO DRN, 18" x 24" MH, BLK	86	39

Note: You must specify color option at time of order.

### Retrofit Spill Containers

PART	GALLON	LITER	COVER/SPECIAL	LBS.	KG.
702-450-01-BLK	5	19	RETRO, 5 BG, MH/PUMP, BLK	39	17.7
702-450-65-NC	5	19	RETRO, 5 BG (CAN), PUMP, 18" x 8 MH, NC	45	20.7

Note: You must specify color option at time of order.

### \*Below Grade Manhole 18" Cover Options

Suffix	DESCRIPTION
BLK	Black, Raintight
WHT	White, Raintight
RED	Red, Raintight
BLU	Blue, Raintight
YEL	Yellow, Raintight
GRY	Grey, Raintight
ORG	Orange, Raintight
STL	Steel

## Below Grade Spill Container Manhole Accessories

### Replacement 18" Covers

PART	DESCRIPTION
781-304-01	FRC - Black
781-304-02	FRC - White
781-304-03	FRC - Red
781-304-04	FRC - Blue
781-304-05	FRC - Yellow
781-304-06	FRC - Grey
781-304-07	FRC - Orange
781-304-08	FRC - Green
781-306-01	Steel

### Below Grade Cover Actuated Push Drain Valve Kits

PART	GALLON
705-225-02	5
705-225-03	25